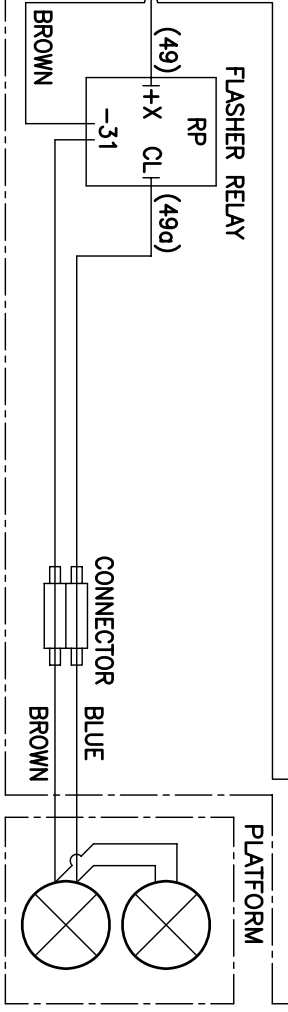
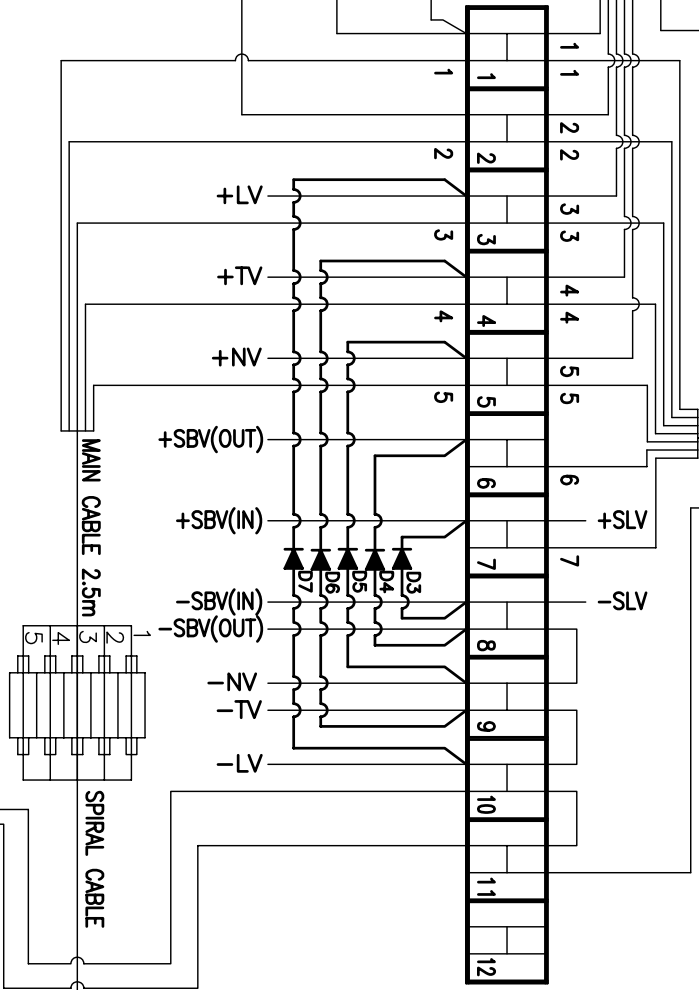
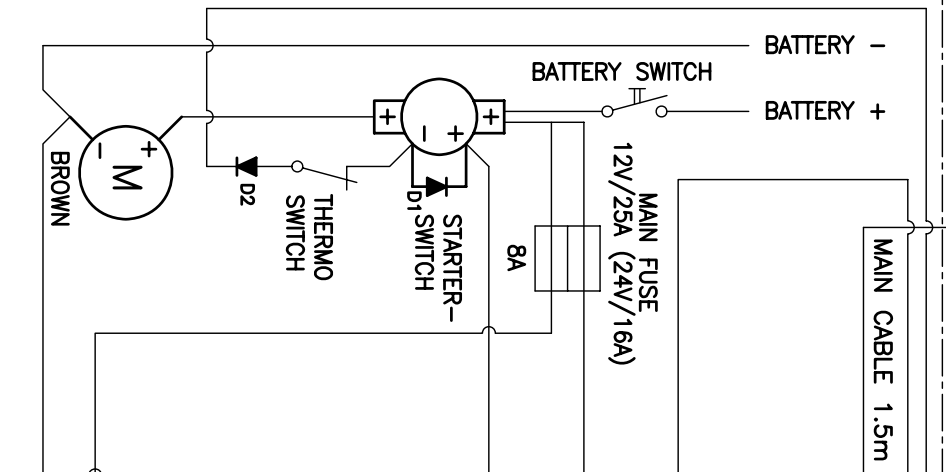
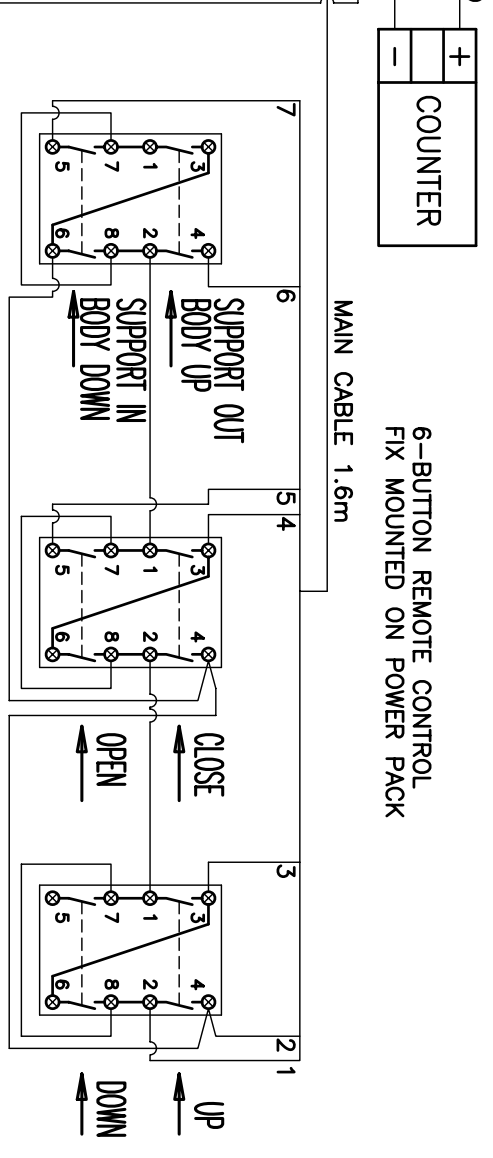
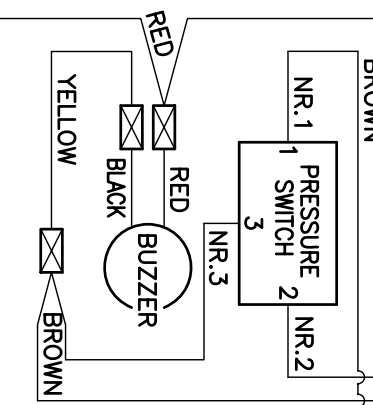
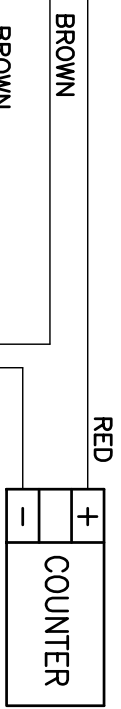
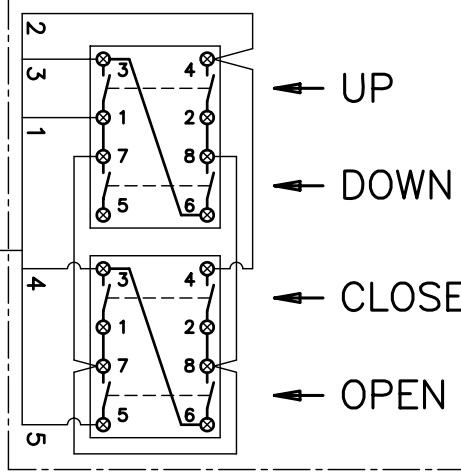
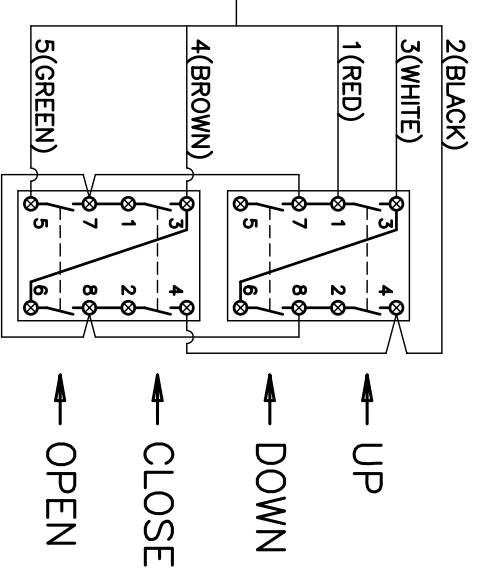


4-BUTTON REMOTE CONTROL  
FIX MOUNTED ON LEFT SIDE



4-BUTTON REMOTE CONTROL  
INSIDE BODY



ELECTRICAL WIRING DIAGRAM

LSMB2SBWNC

(VB286+VB300+VB241)

40 SYNERGY

# HYDRAULIC SCHEMATIC FOR TAILLIFT

40

41

45

SCISSOR BODY CYLINDER

SUPPORT LEG CYLINDER

LIFT CYLINDER

TILT CYLINDER

