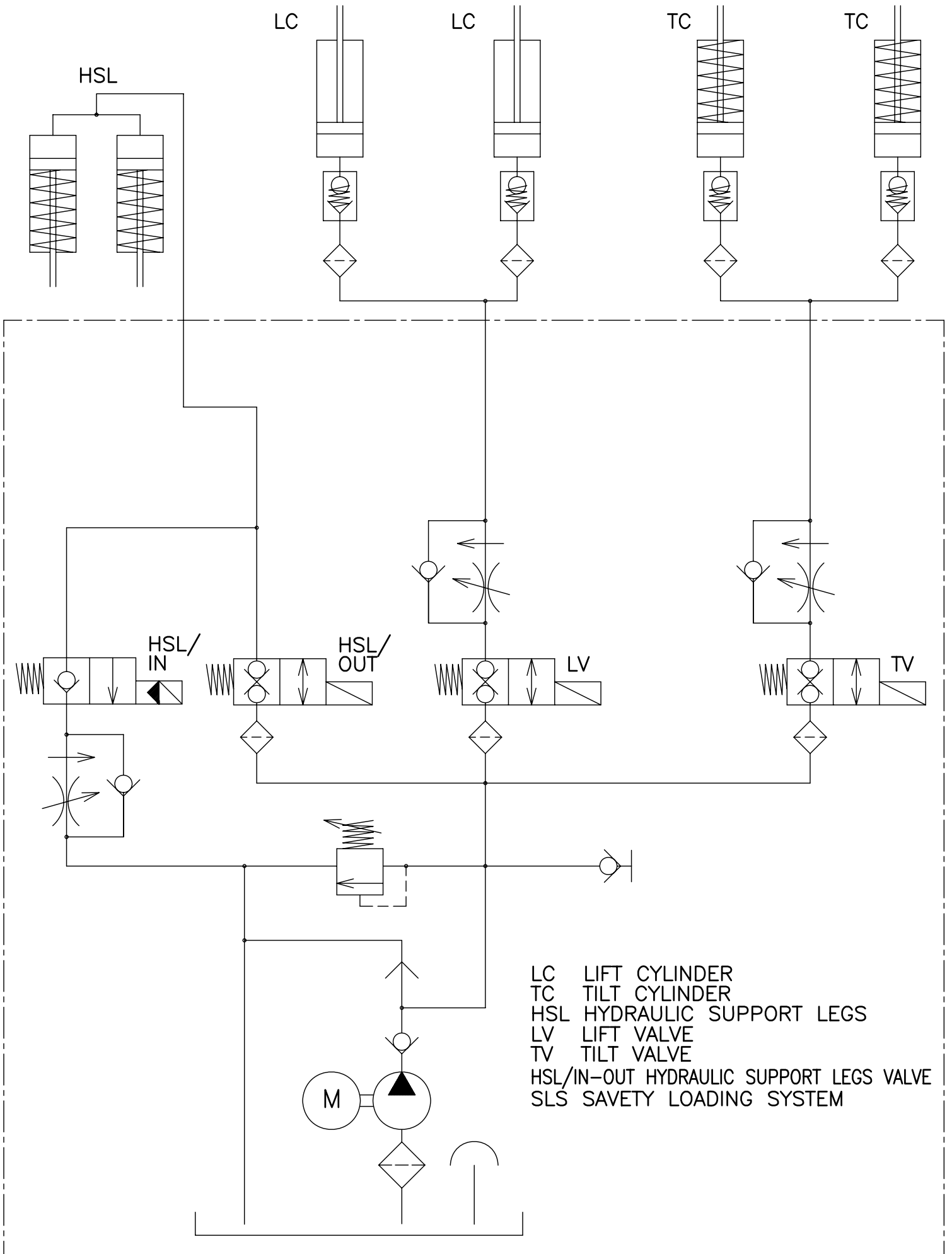
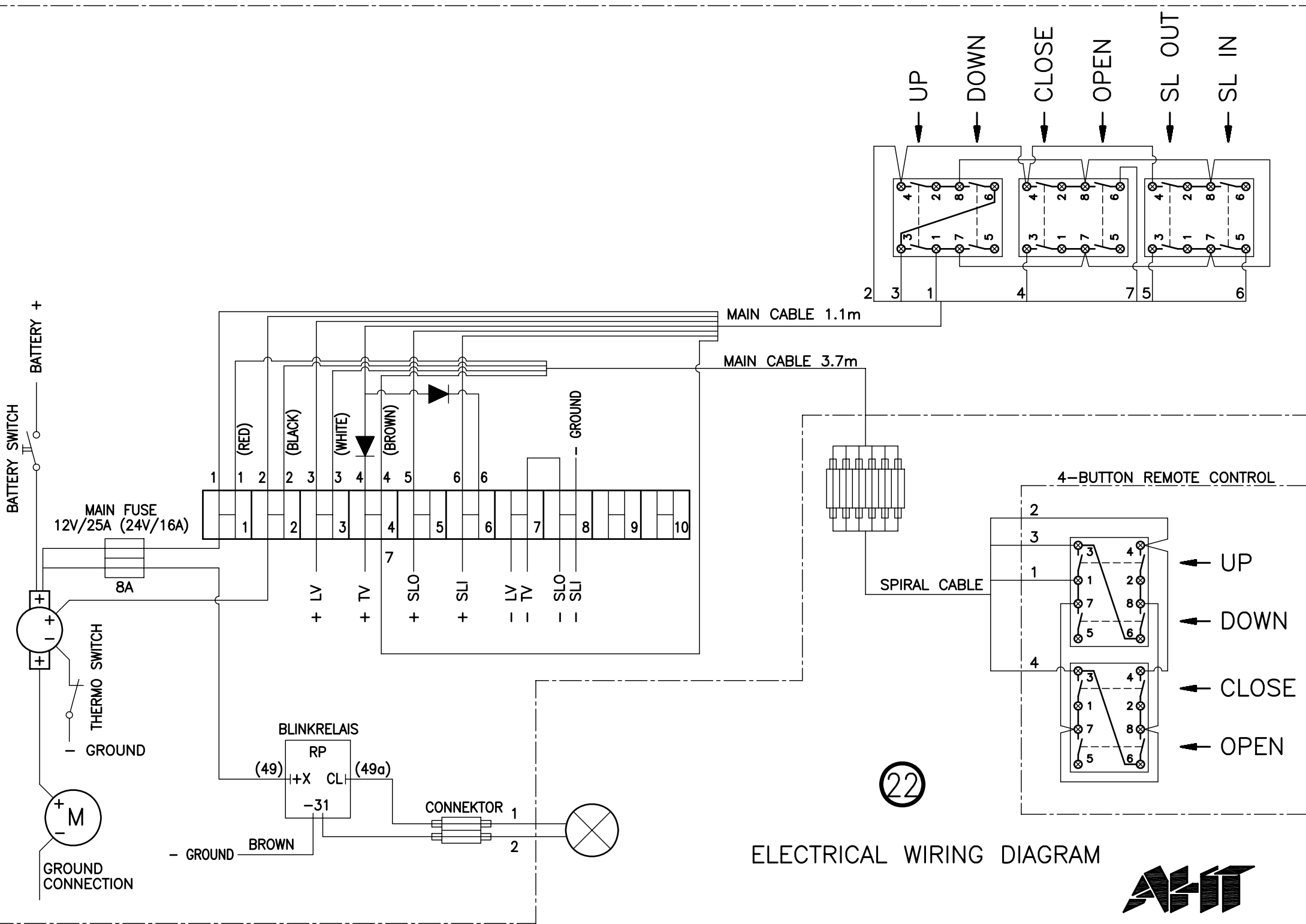


HYDRAULIC SCHEMATICS



LC LIFT CYLINDER
 TC TILT CYLINDER
 HSL HYDRAULIC SUPPORT LEGS
 LV LIFT VALVE
 TV TILT VALVE
 HSL/IN-OUT HYDRAULIC SUPPORT LEGS VALVE
 SLS SAFETY LOADING SYSTEM



ELECTRICAL WIRING DIAGRAM

