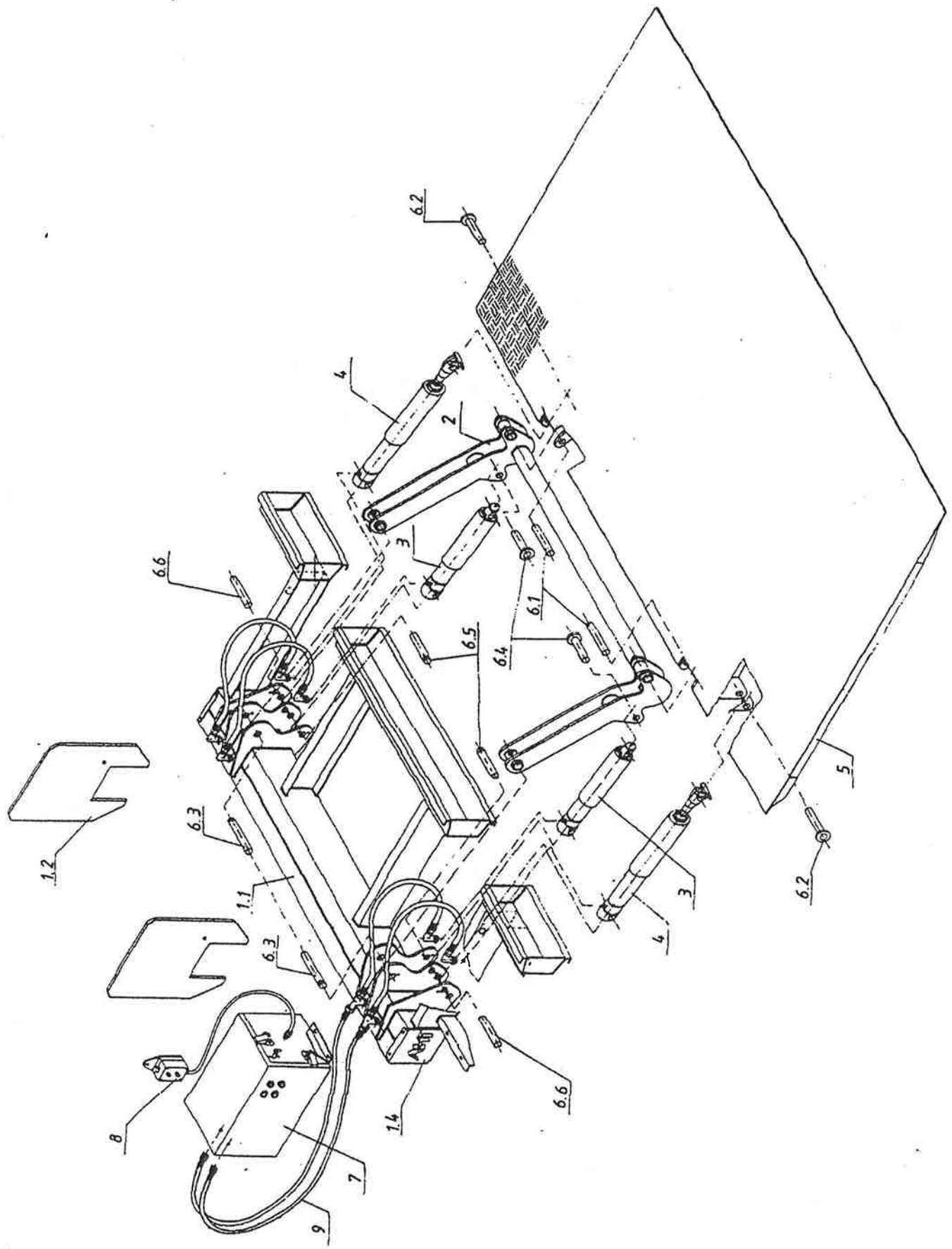


AHT Liftgates LLC  
309 Mogie Ln.  
Acworth Ga. 30102  
770-425-5480  
E-Mail: [parts@ahtliftgates.com](mailto:parts@ahtliftgates.com)  
[www.ahtliftgates.com](http://www.ahtliftgates.com)

Spare Parts Catalog

LM-3300 ST/AL  
Tailgate Loader



## Steel Tail Lift

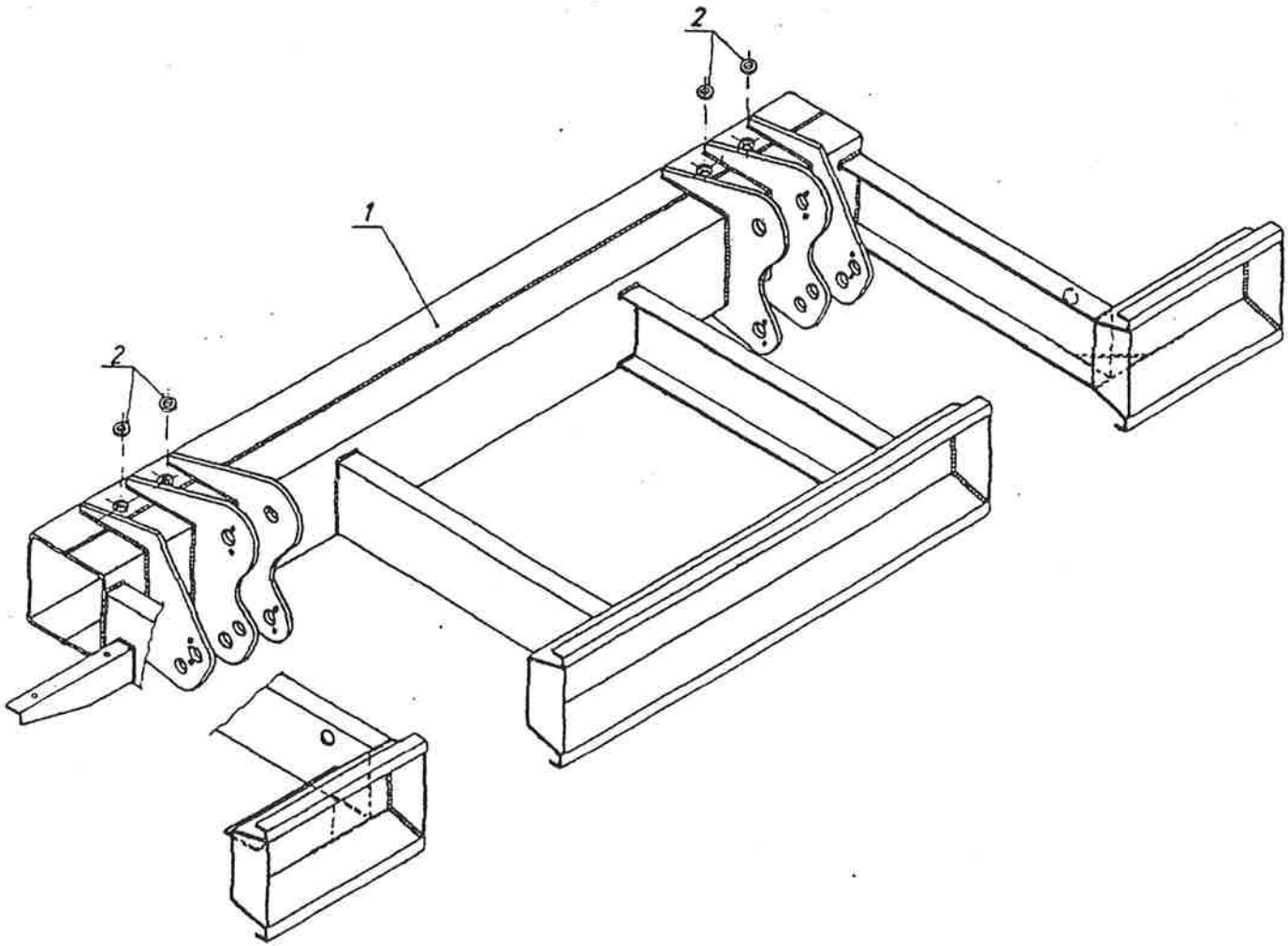
No.	Part No.	Description	Pieces	Drawing No.
1.1	12105403	Main Frame Assembly	1	L-1500ST-1.1
1.2	12105490	Mounting Bracket	2	L-1500ST
2	12105441	Lift Arm (Short)	1	L-1500ST-K
	12105443	Lift Arm (Middle)	1	L-1500ST-M
	12105445	Lift Arm (Long)	1	L-1500ST-L
3	12205405	Lift Cylinder	2	HZ-1500-55ST
4	12205452	Tilt Cylinder, (Short)	2	SZ-1500-55ST/K *
	12205453	Tilt Cylinder, (Middle, Long)	2	SZ-1500-55ST/M,L *
5	**	Platform, Complete	1	**
6.1	12005407	Pin, Lift Arm Front	2	BWL/HA L-1500ST-6.3
6.2	12005406	Pin, Tilt Cylinder Front	2	BWL/SZ L-1500ST-6.2
6.3	12005410	Pin, Lift Arm Rear	2	TRK/HA L-1500ST-6.6
6.4	12005405	Pin, Lift Cylinder Front	2	HA/HZ L-1500ST-6.1
6.5	12005408	Pin, Lift Cylinder Rear	2	TRK/HZ L-1500ST-6.4
6.6	12005409	Pin, Tilt Cylinder Rear	2	TRK/SZ L-1500ST-6.5
7	11418116	Power Pack 12V	1	SA96-S22
	11418117	Power Pack 24V	1	SA96-S22
8	11510035	2-Button Control Flush Mount	1	IRL-2
	11510036	3-Button Control Flush Mount	1	IRL-3
9	12715405	Tubing Assembly	1	L-1500ST

\* without Clevis, Valve & Fittings

\*\* Call factory with Width and Length for price

# Main Frame

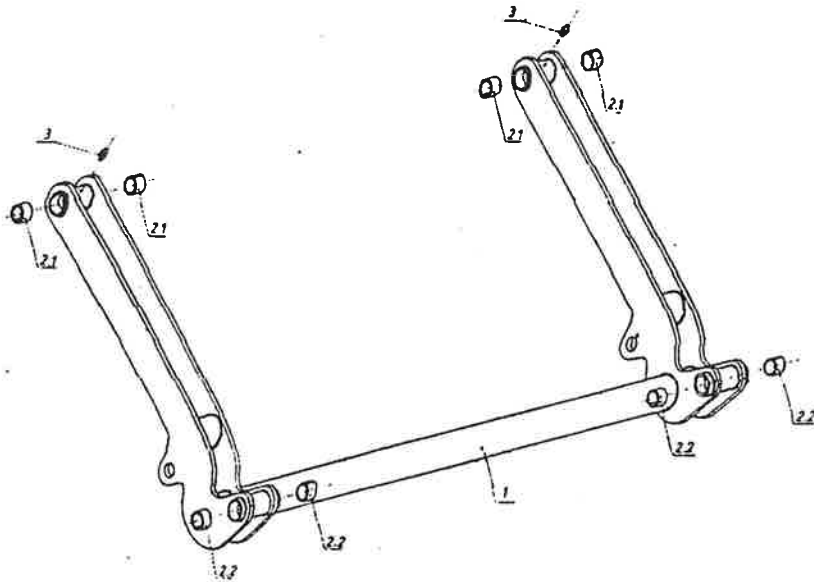
No.	Part Nr.	Description	pcs	Drawing No.
1	12105403	Main Frame Assembly left	1	L-1500-SA
2	11000112	Rubber Sleeve	4	12/26



## Lift Arm

## for Steel Platform

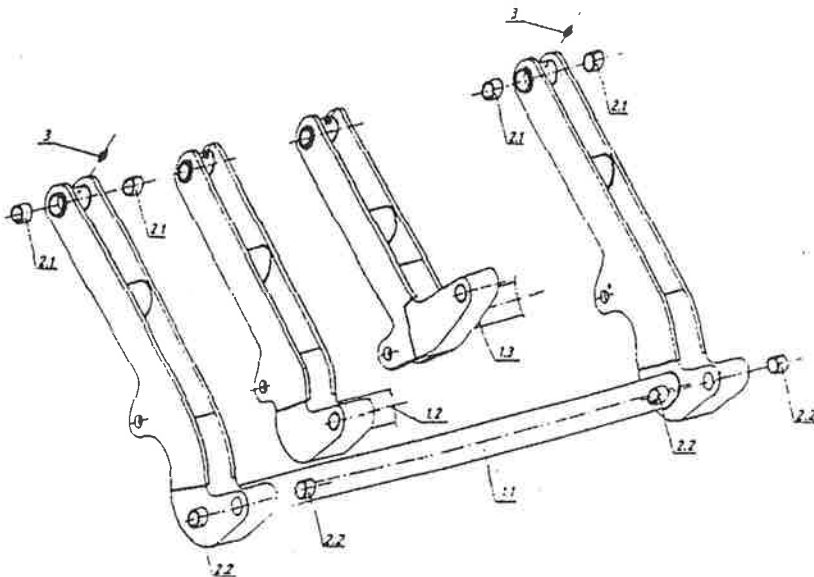
No.	Part Nr.	Description	pcs	Drawing No.
1.1	12105445	Lift Arm Assembly (Long)	1	L-1500-ST-L
1.2	12105443	Lift Arm Assembly (Middle)	1	L-1500-ST-M
1.3	12105441	Lift Arm Assembly (Short)	1	L-1500-ST-K
2.1	11000105	Bushing, Rear	4	DU 3020
2.2	11000100	Bushing, Front	4	DU 3015
3	10000090	Grease Fitting	2	



## Lift Arm

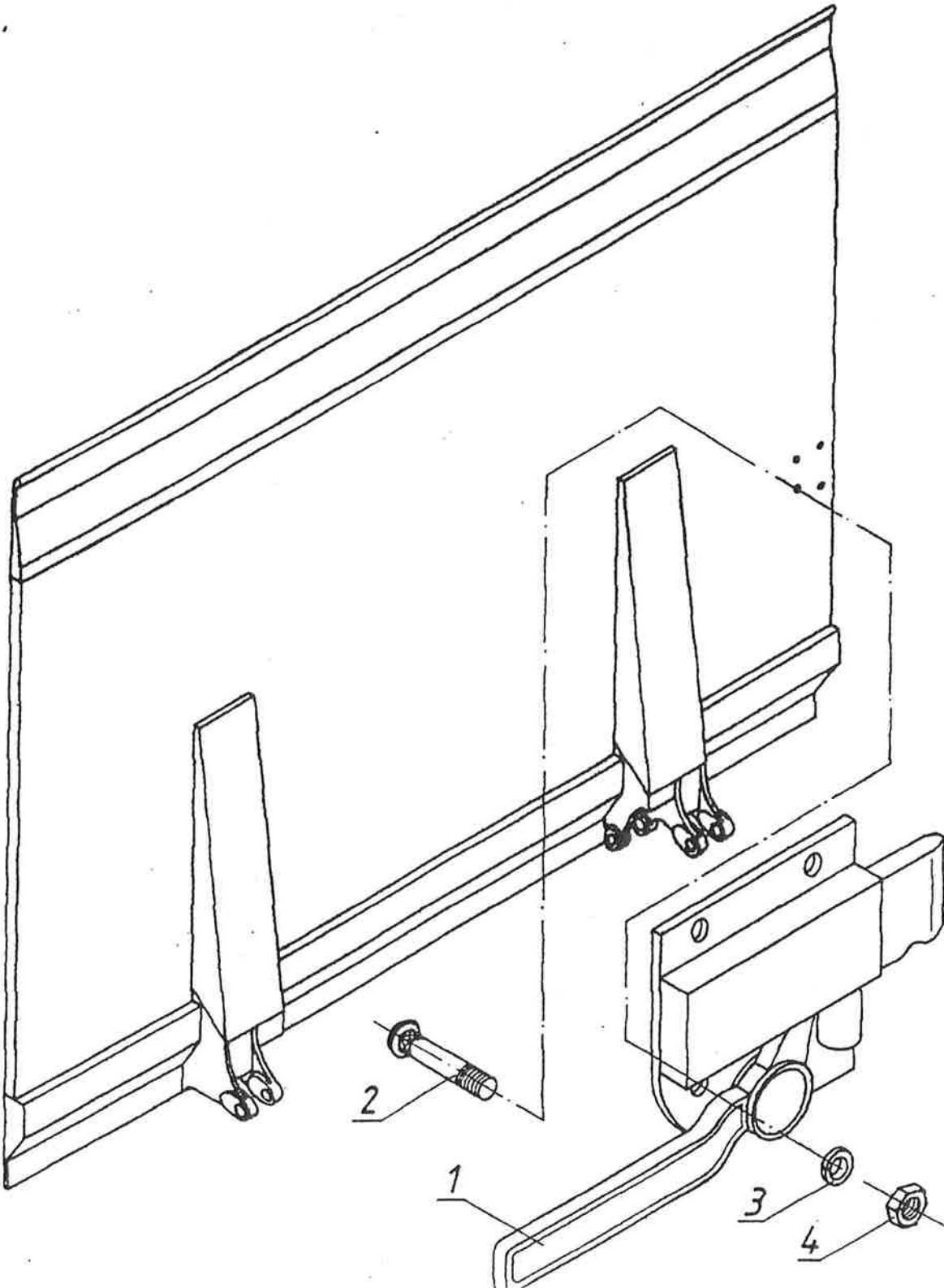
## for Aluminium Platform

No.	Part Nr.	Description	Pieces	Drawing No.
1.1	12105452	Lift Arm Assembly (Long)	1	L-1500-ST-L
1.2	12105450	Lift Arm Assembly (Middle)	1	L-1500-ST-M
1.3	12105448	Lift Arm Assembly (Short)	1	L-1500-ST-K
2.1	11000105	Bushing, Rear	4	DU 3020
2.2	11000100	Bushing, Front	4	DU 3015
3	10000090	Grease Fitting	2	



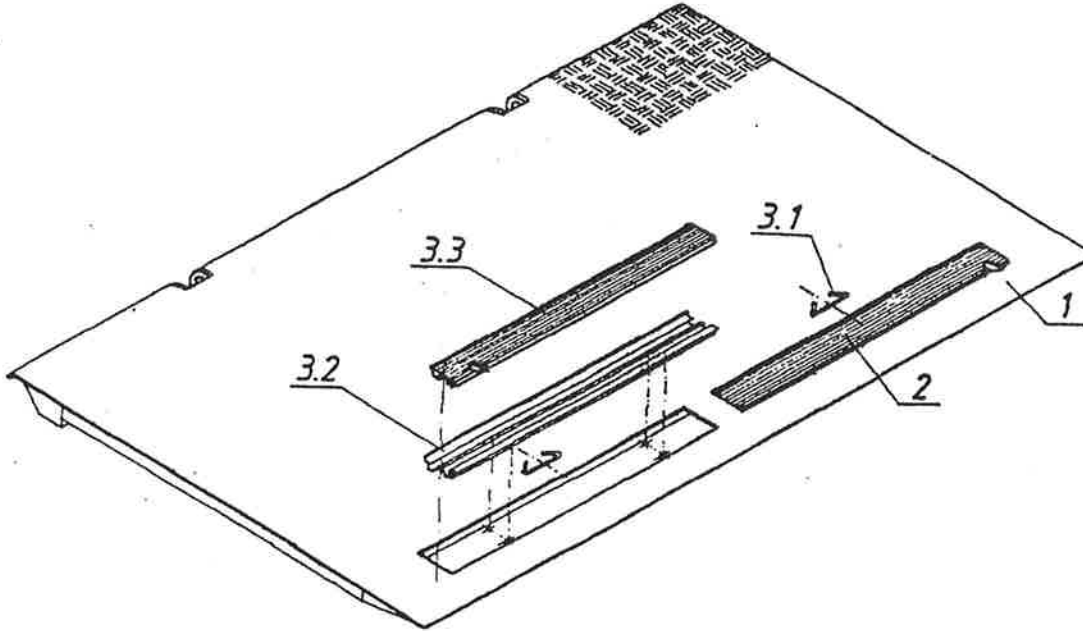
# Lock for Platform

No.	Part No.	Description	Pieces	Drawing No.
1	11000185	Lock, Platform	1	
2	11800070	Bolt, Mounting	4	
3	11800121	Lock Washer	4	
4	11800143	Nut, Mounting Bolt	4	



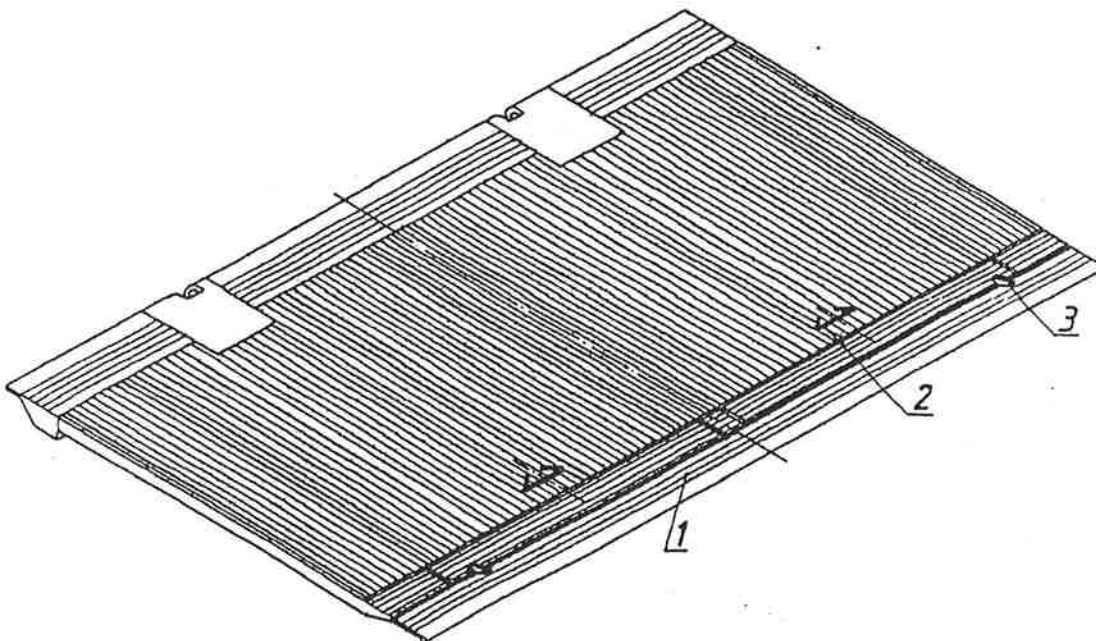
# Steel Platform with Roll Stop

No.	Part No.	Description	Pieces	Drawing No.
1	12315013	Steel Platform with Roll Stop	1	
2	12300030	Roll Stop assembly	1	
3.1	11000103	Spring, Roll Stop	2	
3.2	11300036	Insert, Roll Stop	2	
3.3	11300014	Profile, Roll Stop	2	



# Aluminium Platform with Roll Stop

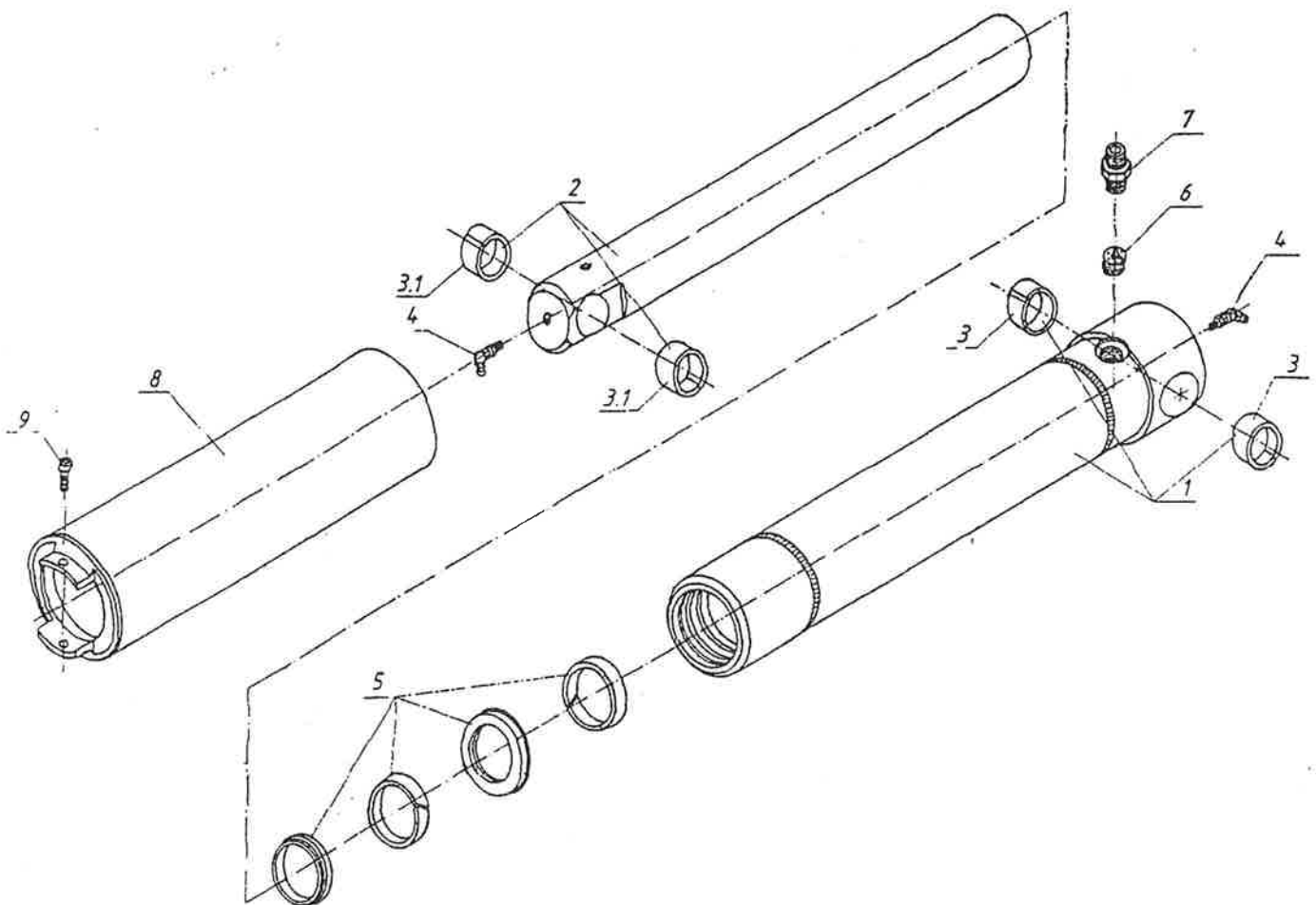
No.	Part No.	Description	Pieces	Drawing No.
1	12310013	Aluminium Platform with Roll Stop	1	
2	11000103	Spring, Roll Stop	1	
3	11300035	Profile, Roll Stop	2	



\* Call factory with Width and Length for price

# Lift Cylinder HZ-1500-55ST

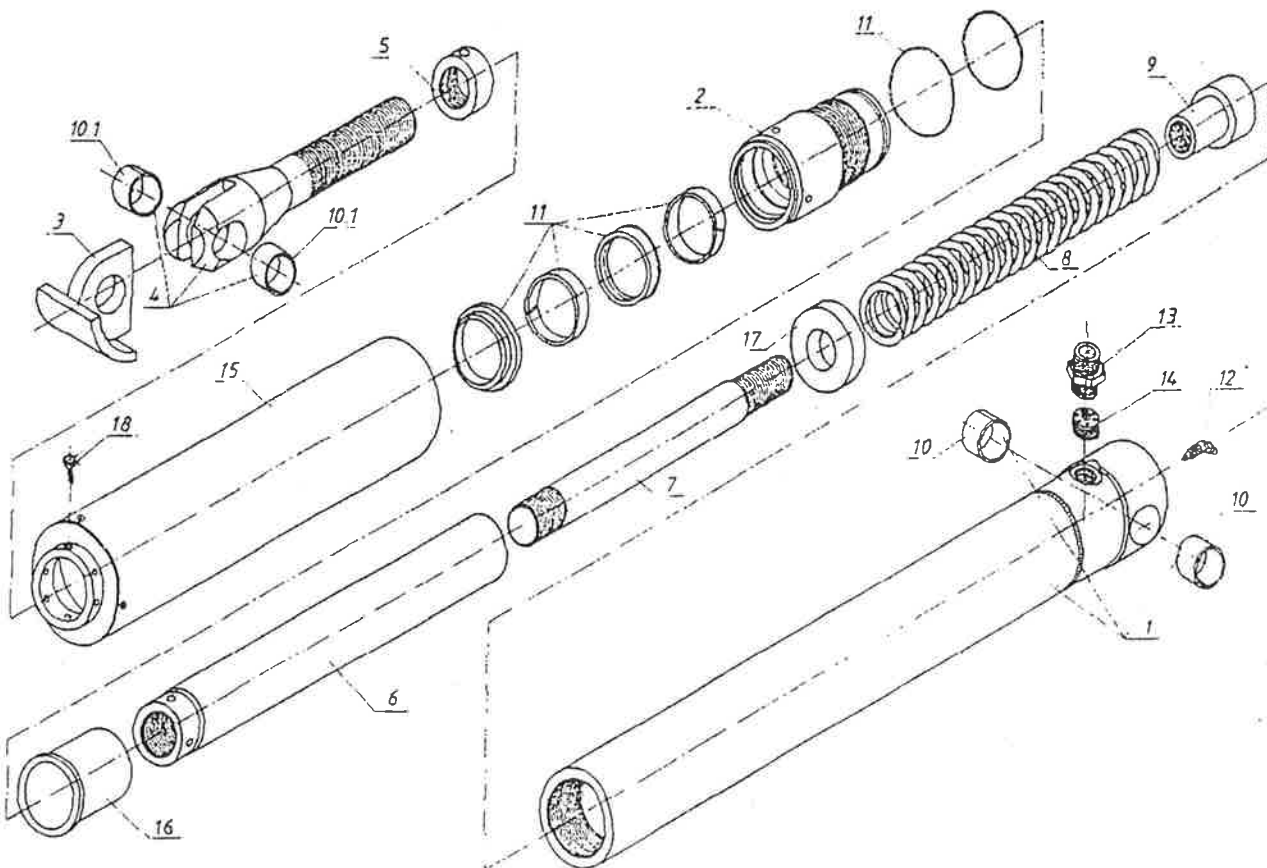
No.	Part No.	Description	Pieces	Drawing No.
	12205405	Lift Cylinder, Right/Left	1	HZ-1500-55ST *
1	12205408	Cylinder Tube, Right/Left	1	HZ-1500ST-1
2	12205420	Piston Rod	1	HZ-1500ST-2AL
	12205422	Piston Rod	1	HZ-1500ST-2ST
3	11000105	Bushing, Rear	2	DU 3020
3.1	11000100	Bushing, Front	2	DU 3015
4	10000091	Grease Fitting 45 degree	2	
5	11605405	Seal Kit, Complete	1	HZ 0550-ST
6	11400088	Mechanical Hose Burst Valve	1	MHW-MRBV-R3/8
7	10700000	Adapter, Hose/Male	1	
8	12205435	Cover, Dust	1	HZ-1500ST-3
9	11800037	Bolt, Locking Hex	2	





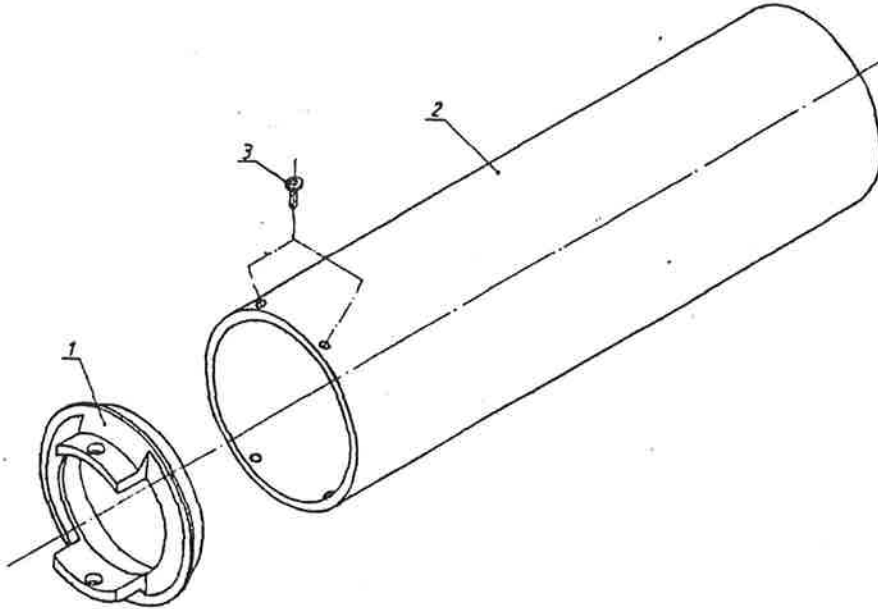
# Tilt Cylinder SZ-1500-55/ST

No.	Part No.	Description	Pieces	Drawing No.
	12205452	Tilt Cylinder, (Short)	1	SZ-1500-55ST/K
	12205463	Tilt Cylinder, (Middle, Long)	1	SZ-1500-55ST/M,L
1	12205458	Cylinder Tube	1	SZ-1500ST-1B
2	12205462	Piston Guide	1	SZ-1500-2B
3	12200084	Wear Plate	1	SZ-1500-18A
4	12200062	Clevis with Bushings (Short)	1	SZ-1500-14K
	12200063	Clevis with Bushings (Middle)	1	SZ-1500-14M
	12200064	Clevis with Bushings (Long)	1	SZ-1500-14L
5	12200065	Lock Nut (Short)	1	SZ-1500-13K
	12200066	Lock Nut (Middle & Long)	1	SZ-1500-13M/L
6	12205470	Piston Rod	1	SZ-1500-9AL
	12205472	Piston Rod	1	SZ-1500-9ST
7	12200058	Piston for Opening Spring	1	SZ-1500-10
8	12200072	Opening Spring	1	SZ-1500-11
9	12200061	Nut for Opening Spring	1	SZ-1500-8
10	11000105	Bushing, Cylinder Tube	4	DU 3020
10.1	11000100	Bushing, Clevis	4	DU 3015
11	11605410	Seal Kit Complete	1	SZ 0550
12	10000091	Grease Fitting 45 degree	1	
13	10700000	Adapter, Hose/Male	1	
14	11400088	Mechanical Hose Burst Valve	1	MHW-MRBV-R3/8
15	12205475	Cover, Dust	1	SZ-1500-17
16	12200067	Guide, Piston (Short)	1	SZ-1500-16K
	12200068	Guide, Piston (Middle & Long)	1	SZ-1500-16M/L
17	12200069	Washer, Opening Spring	1	SZ-1500-12
18	11800020	Bolt, Locking Hex	4	M4x8



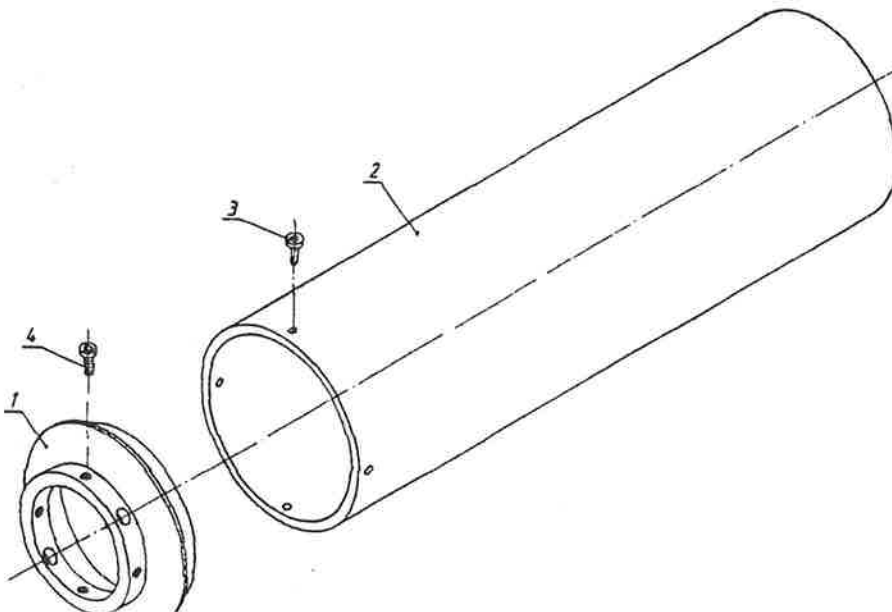
## Cover Dust HZ-1500-55ST

No.	Part No.	Description	Pieces	Drawing No.
	12205435	Cover Dust	1	HZ-1500-55
1	10210212	Cover end	1	HZ-1500-55
2	11210229	Cover tube	1	HZ-55
3	11800197	Popet	4	



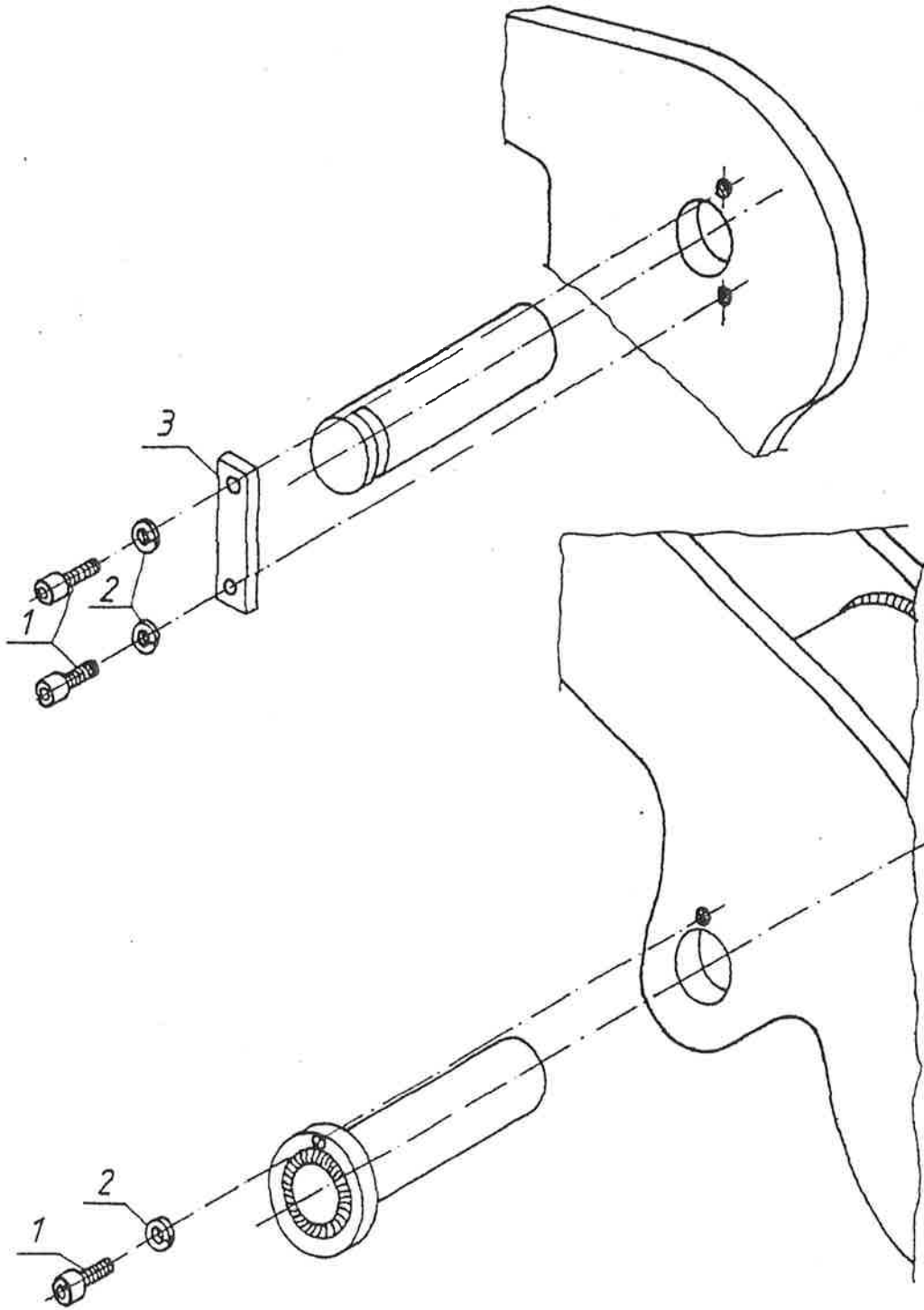
## Cover Dust SZ-1500-55ST

No.	Part No.	Description	Pieces	Drawing No.
	12205475	Cover, Dust	1	SZ-1500-55
1	10210223	Cover end	1	SZ-1500-55
2	11210229	Cover tube	1	SZ-55
3	11800197	Popet	4	
4	11800020	Bolt, Locking Hex	4	



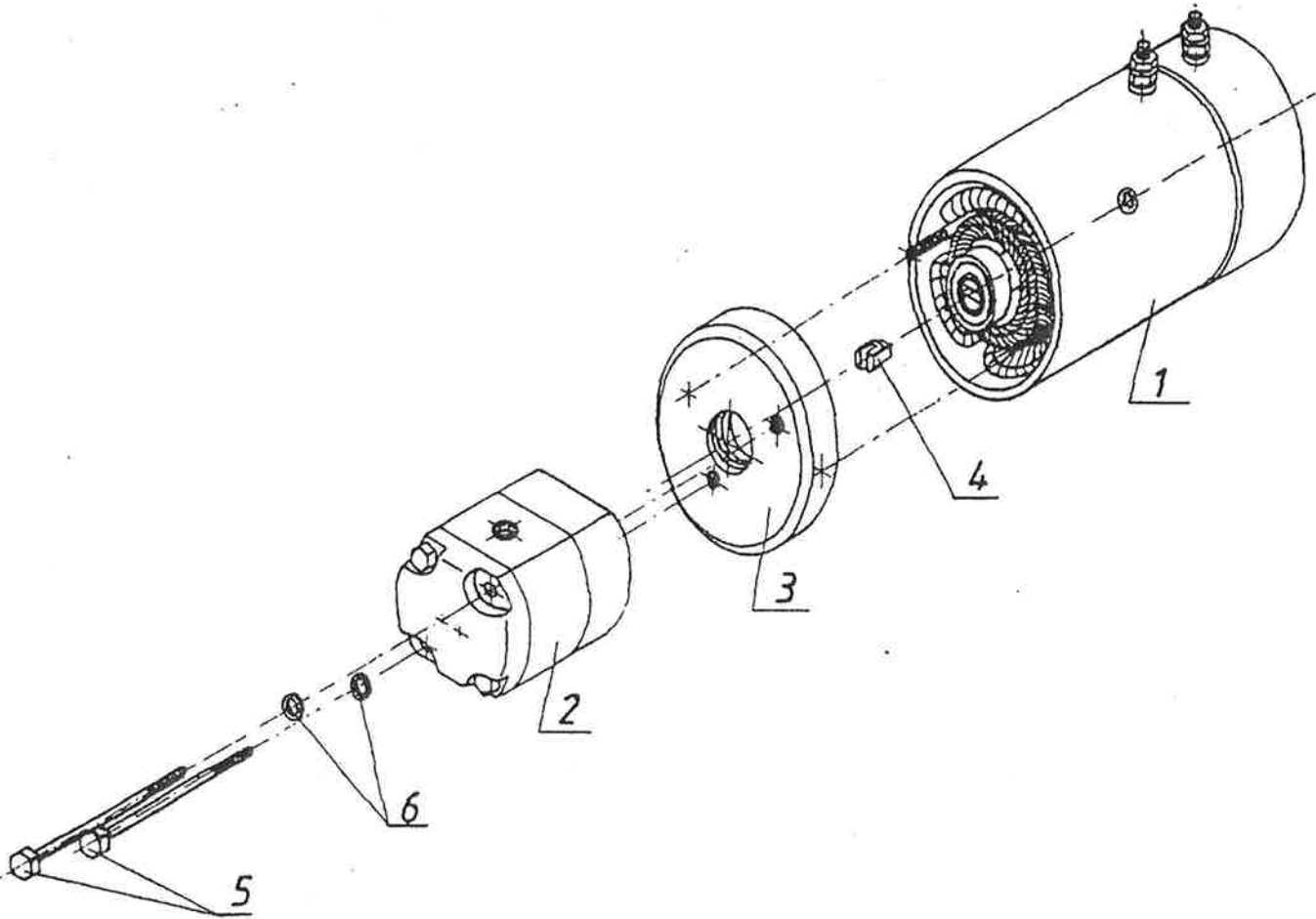
# Bolts

No.	Part No.	Description	Pieces	Drawing No.
	12005402	Set of Bolts	1	L-1500ST
1	11800022	Cap Screw	20	M6
2	11800120	Lock Washer	20	ø6
3	12000052	Locking Bracket	8	L-1500-6.7



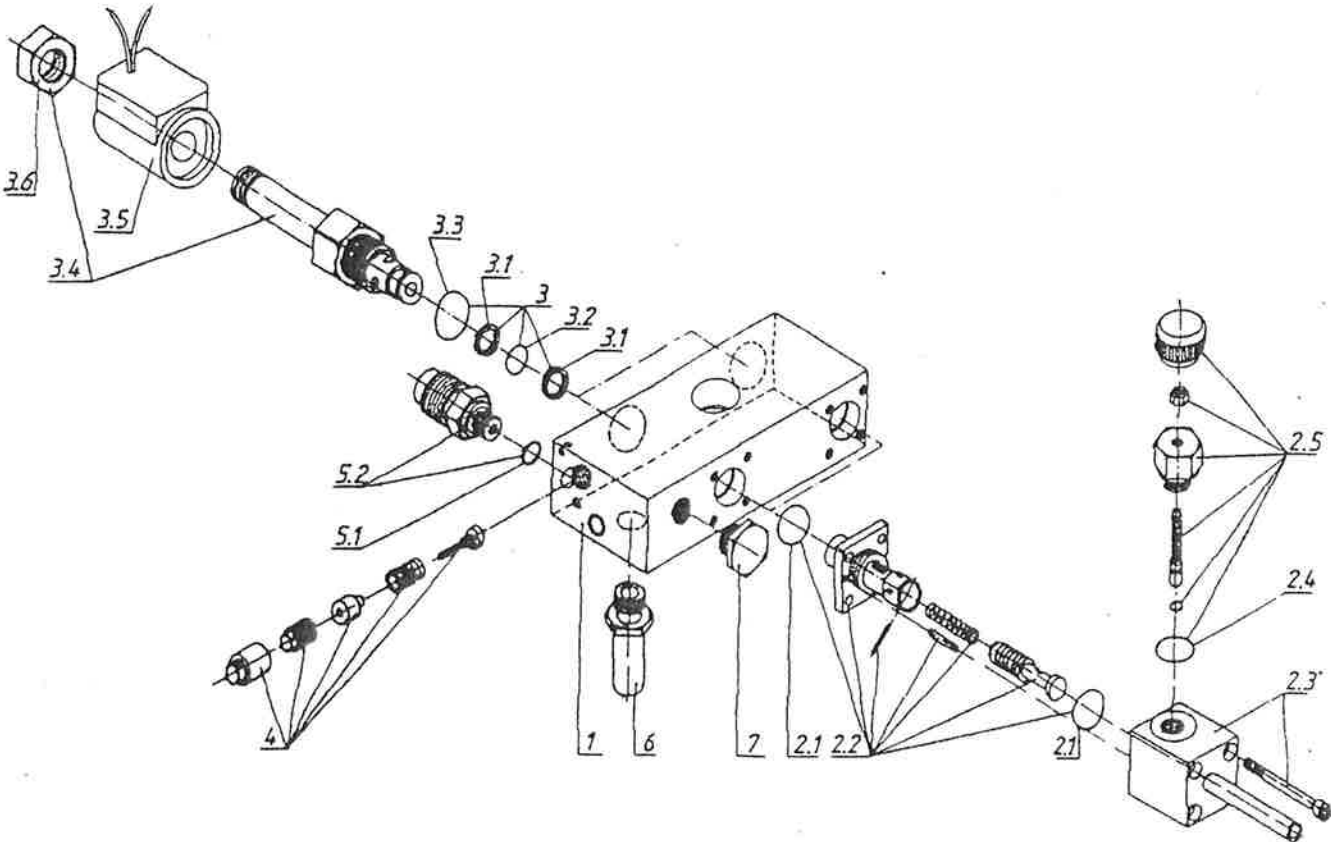
# Motor-Pump MHW-89-1-2

No.	Part No.	Description	Pieces	Drawing No.
	11400031	Motor-Pump Assembly 12V	1	MHW-89-1-2/12V
	11400032	Motor-Pump Assembly 24V	1	MHW-89-1-2/24V
1	11400022	Motor 12V	1	MHW-89-1-1/12V
	11400023	Motor 24V	1	MHW-89-1-1/24V
2	11400026	Pump Assembly	1	MHW-2.1
3	11410093	Adapter	1	
4	11400055	Coupling	1	
5	11800121	Lock Washer	2	
6	11800128	Mounting Screw	2	



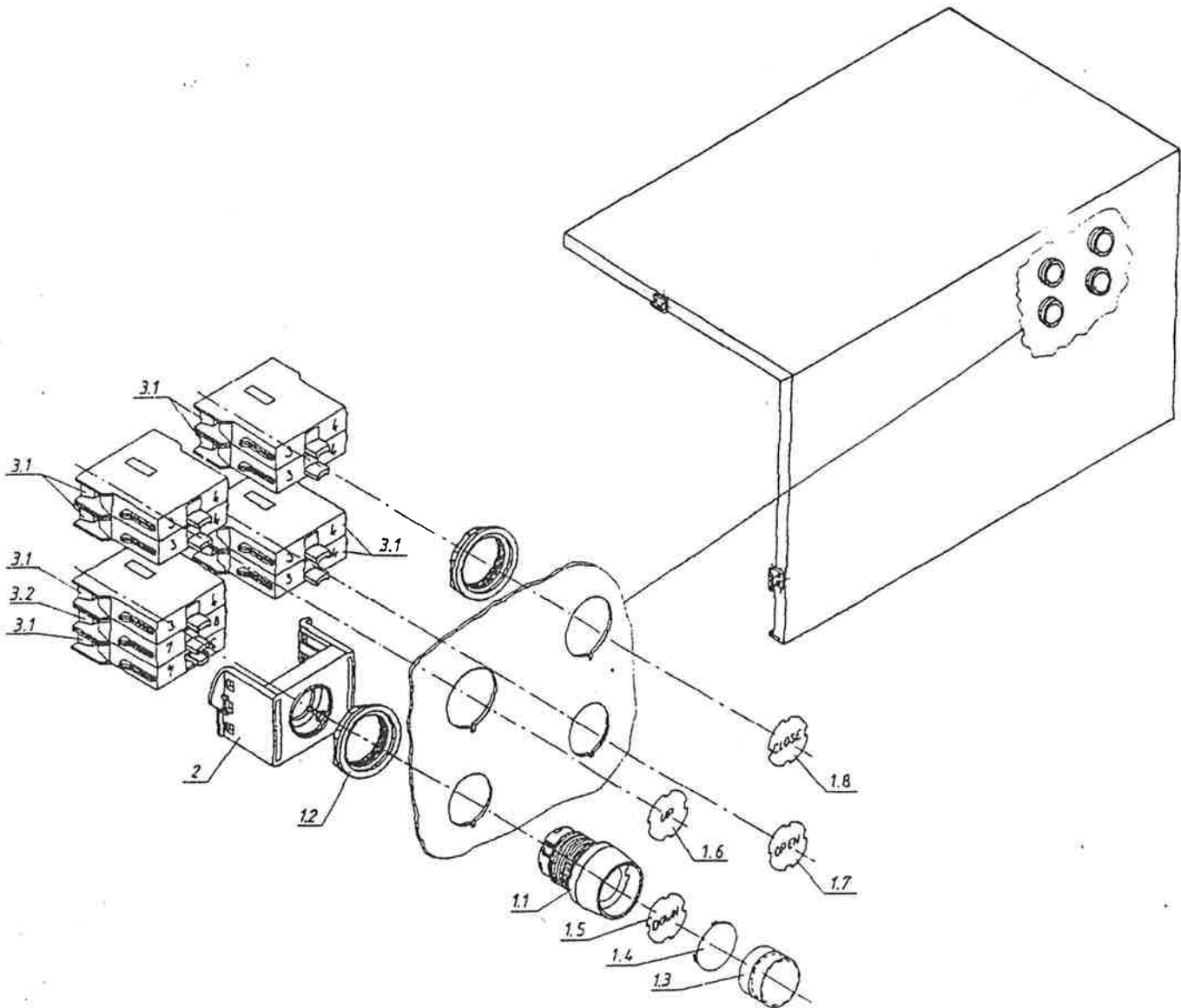
# Valve Block MHW-VB-11L

No.	Part No.	Description	Pieces	Drawing No.
	11410114	Valve Block 11L Assembly 12V	1	MHW-VB-11L/12V
	11410115	Valve Block 11L Assembly 24V	1	MHW-VB-11L/24V
	11400068	Valve 12V with Solenoid	1	MHW-C-30/SP12V
	11400069	Valve 24V with Solenoid	1	MHW-C-30/SP24V
1	11400094	Valve Block 11L	1	MHW-VB-11L
2	11400074	Flow Control Valve Assembly	2	MHW-EMRV-1-V
2.1	11600154	O-Ring	4	
2.2	11400075	Guide, Piston with O-Ring	2	MHW-EMRV-1.1-V
2.3	11400081	Housing with screws	2	MHW-EMRV-1-5-8
2.4	11400153	O-Ring	2	
2.5	11400076	Hand wheel	2	MHW-EMRV-1.2-V
3	11600121	Seal Kit MHW-C-30 (Pos. 3.1 : 3.3)	1	MHW-C-30/DS
3.1	11600270	Thrust Ring for MHW-C-30	4	MHW-C-6-34
3.2	11600152	O-Ring	2	
3.3	11600157	O-Ring	2	
3.4	11400063	Cartridge-Valve	2	MHW-C-30
3.5	11400066	Solenoid 12 Volt	2	MHW-SP12VDC/L
	11400067	Solenoid 24 Volt	2	MHW-SP24VDC/L
3.6	11400096	Nut for MHW-C-30	2	MHW-C-6-55
4	11400083	Relief Valve	1	MHW-BWSVL-0
5.1	11600200	O-Ring	1	
5.2	11400077	Adapter, Pressure Test	1	
6	11400078	Adapter, Return	1	MHW-VD-11-6
7	11400079	Plug G1/4"	1	



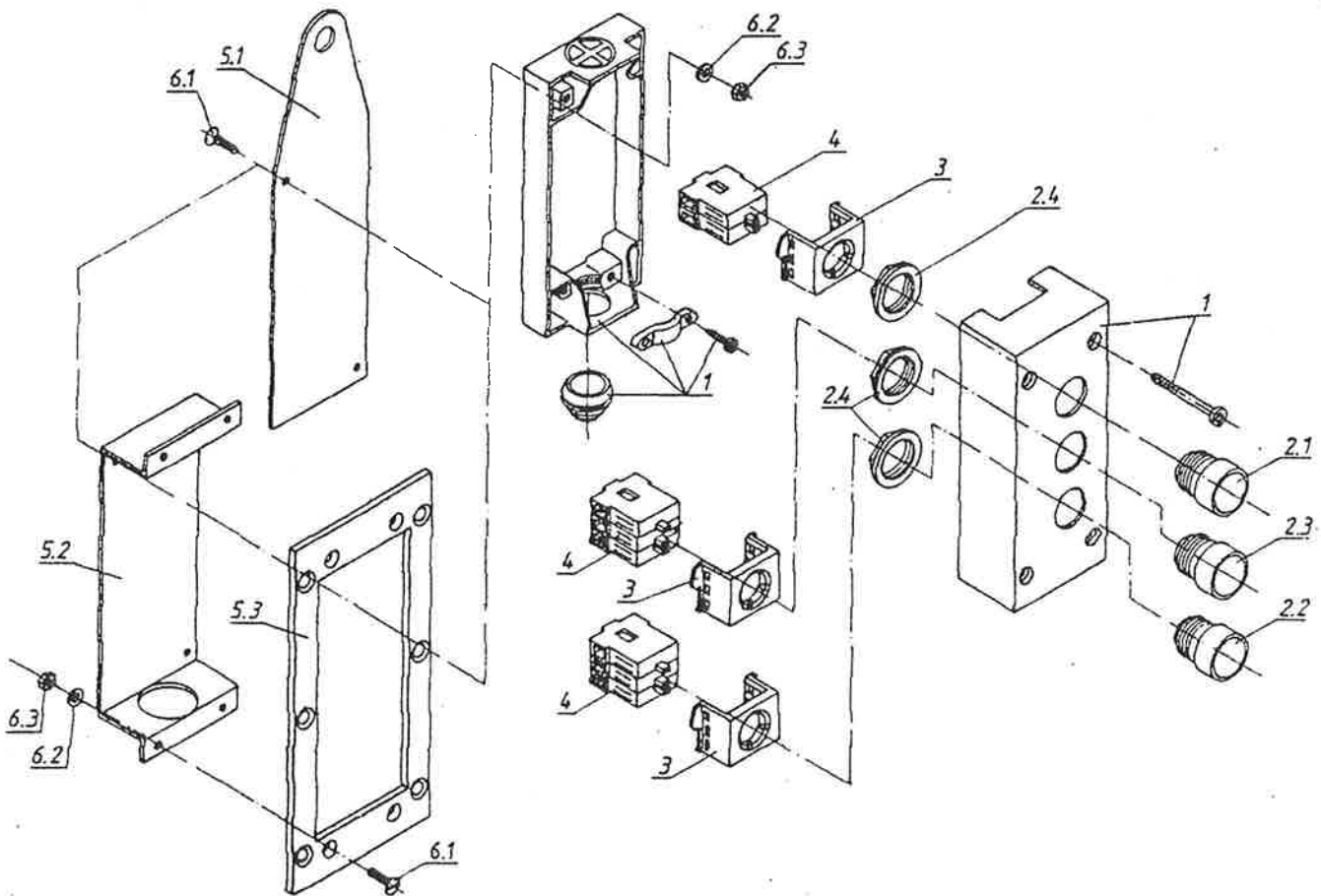
# 4-Button-Control

No.	Part No.	Description	Pieces	Drawing No.
	11500264	Push Button Assembly	4	
1.1	11500242	Push Button	4	
1.2	11500266	Nut, Push Button	4	
1.3	11500265	Push Button Cover	4	
1.4	11500253	Label Plate	4	
1.6	11500250	Label „Up“	1	
1.5	11500251	Label „Down“	1	
1.7	11500276	Label „Open“	1	
1.8	11500277	Label „Close“	1	
2	11500246	Holder, Contact	4	
3.1	11500247	Contact, 3/4	8	
3.2	11500248	Contact, 7/8	1	



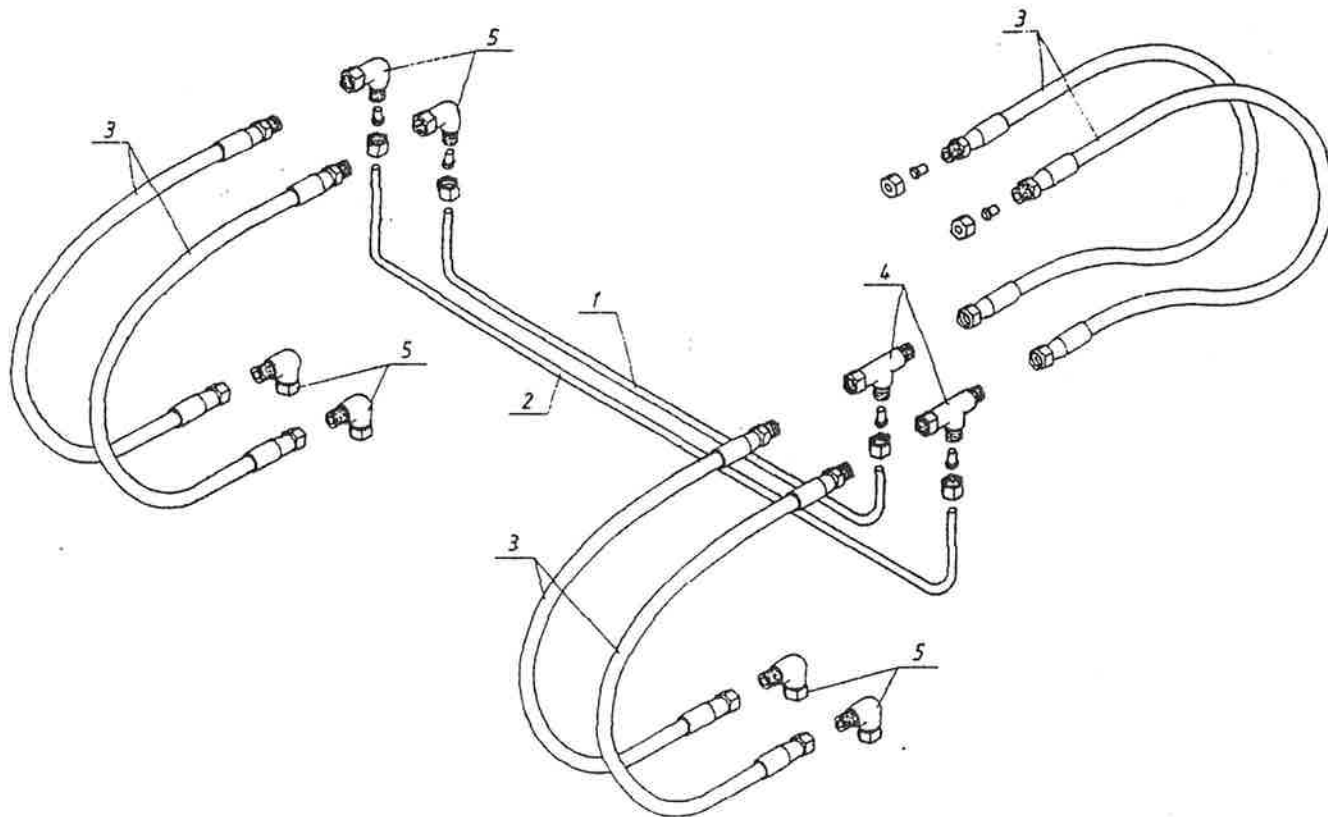
# 3-Button-Control

No.	Part No.	Description	Pieces	Drawing No.
	11510036	3-Button Control Assembly	1	MHW-IRL-3
1	11500241	Housing, 3-Button Control	1	MHW-IRL-3
2.1	11500242	Button, Push (Up)	1	
	11500250	Label, "UP"	1	
2.2	11500242	Button, Push (Down)	1	
	11500251	Label, "Down"	1	
2.3	11500242	Button, Push (Tilt)	1	
	11500245	Label "Tilt"	1	
2.4	11500238	Nut, Push Button	3	
3	11500246	Holder, Contact	3	
4	11500249	Contact, 1/2	2	
	11500247	Contact, 3/4	5	
	11500248	Contact, 7/8	1	
5.1	11500261	Hanger, 3-Button Control	1	
5.2	11500263	Bracket, rear half	1	
5.3	11500262	Bracket, front half	1	
6.1	11800062	Screw, Mounting bracket	6	
6.2	11800119	Lock washer, Mounting bracket	6	
6.3	11800141	Nut, Mounting bracket	6	



# Hydraulic Tubing

No.	Part No.	Description	Pieces	Drawing No.
	12715405	Tubing Assembly, Complete	1	L-1500ST
	10705408	Hoses Sets	1	L-1500ST
1	12715415	Tilt Tubing	1	
2	12715420	Lilt Tubing	1	
3	11700000	High Pressure Hose	6	
4	10700004	Tee, Hydraulic Tubing	2	
5	10700002	Elbow, 90 degree Fitting	6	





## Power Pack MHW-SA96-S22

No.	Part No.	Description	Pieces	Drawing No.
	11418116	Power Pack 12V Assembly	1	MHW-SA96-S22
	11418117	Power Pack 24V Assembly	1	MHW-SA96-S22
1.1	11400004	Oil Reservoir	1	MHW-SA96-22-1
1.2	11400005	Cover, Power Pack	1	MHW-SA96-22-2
1.3	11400014	Lock, Power Pack Cover	4	
1.4	11400015	Bracket, Power Pack Cover	4	
1.5	11000112	Grommet, 12/26	6	
1.6	11400018	Dipstick, Oil Reservoir R 1"	1	
1.7	11400019	Filter with Cap	1	
2	11400031	Motor with Pump 12V	1	MHW-89-1-2/12
	11400032	Motor with Pump 24V	1	MHW-89-1-2/24
3	11400033	Shuttle Valve	1	MHW-WV-1
4	11400035	Adapter, Shuttle Valve	1	MHW-89-1-4
5	11400036	Starter Solenoid 12V	1	
	11400037	Starter Solenoid 24V	1	
6.1	11400038	Clamp, Suction tube 12/20	4	
6.2	11400039	Suction Tube	1	
6.3	11400040	Return Tube	1	
6.4	11400042	Screw for Suction Tube	1	MHW-89-1-16
6.5	11400044	Suction Elbow with O-Ring	1	MHW-89-1-15
6.6	11600158	O-Ring	1	
7.1	11600046	Motor Base	1	MHW-90-NL-1
7.2	11400048	Clamp, Motor 110/130	1	
8.1	11400096	Cable, Motor/Starter Solenoid (+)	1	
8.2	11400097	Cable, Motor/Oil Reservoir (-)	1	
8.3	11400098	Cable, Starter Solenoid/Battery Switch (+)	1	
8.4	11400082	Cable, Battery Switch/Battery (+) 7m	1	
9	11410114	Valve Block, Complete 12V	1	MHW-VB-11L/12V
	11400115	Valve Block, Complete 24V	1	MHW-VB-11L/24V
10	11500113	Terminal, Electrical PZ-12	2	
11.1	11500324	Battery Switch	1	
11.2	11500325	Key for Battery Switch	1	
12	11400062	Safety Loading System „SLS“	1	SLS
13	11400089	Alarm, Safety Loading System	1	

