

# Parts Catalog

## LA 1700 - SYN

Aluminum Platform with Support Feet

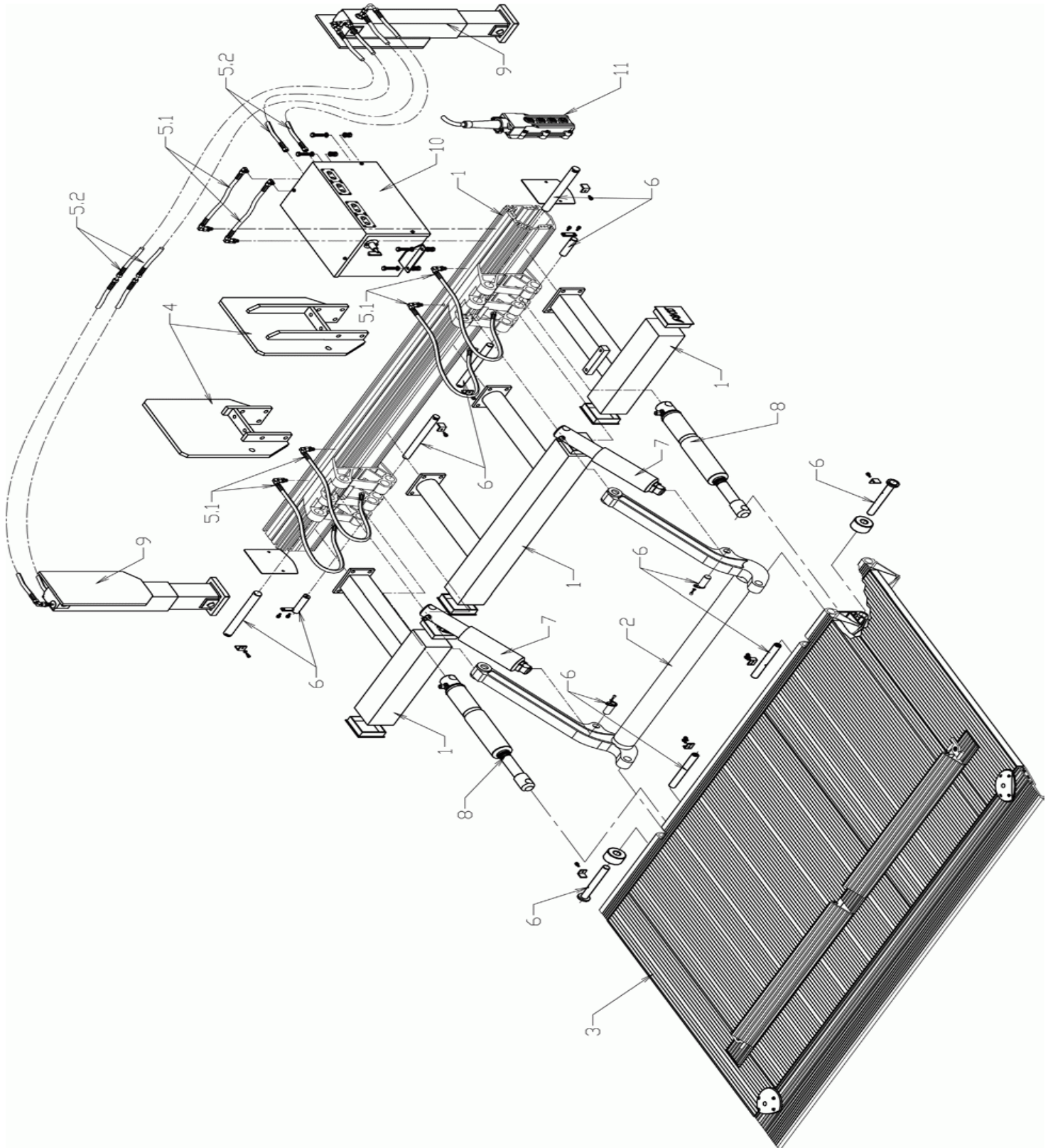
**Covers Serial # 8480 thru # 8785**

AHT Liftgates, LLC  
309 Mogie Ln.  
Acworth Ga. 30102  
(770) 425-5480 (USA)  
E-Mail: [parts@ahtliftgates.com](mailto:parts@ahtliftgates.com)  
Web: [www.ahtliftgates.com](http://www.ahtliftgates.com)

Tail Lift

<b>No.</b>	<b>Part Number</b>	<b>Description</b>	<b>pcs</b>	<b>Drawing No.</b>
1	TA0GCFRAX1350UM	<i>Crossbeam with underrun beam</i>	1	L-500AL-1350-EU-UFS
2	HA0GL1350	<i>Hoisting Unit (long L=750mm)</i>	1	L-500 2HL-1350
3	PA0GWDTMLKDX1X	<i>Aluminum Platform 2412x2159mm</i>	1	L-750AL-3RS-2412x2159/1350
4	S557AHT11205	<i>Mounting Bracket; Assembly left&amp;right</i>	1	L-500AL-4L/R
5.1		<i>Hydraulic hoses (for taillift)</i>	1	
5.2		<i>Hydraulic hoses (for support feets)</i>	1	
6	BH0G1	<i>Bolt assembly</i>	1	L-752AL/AL-6
7	ZHA0G42SM	<i>Lift cylinder (for L-750 with mech. Hose Burst Valves)</i>	2	HZ-750AL-42-M
8	ZSA0G42NXLXXM	<i>Tilt cylinder (for L-750 with mech. Hose Burst Valves; long)</i>	2	SZ-750AL-42-MRBV/L
9	ZL0340P	<i>Support Feets</i>	2	STF-50/30/340SY
10	0PW1E1RM82-SB1-	<i>Power Pack (for L-750; mech. Hose Burst Valves); 12V</i>	1	E1RM82-SB1-
11	OSK18550SY	<i>4-Button-Remote-Control, Assembly with Spiral Cable</i>	1	4KOSK
	OSK18551SY	<i>4-Button-Remote-Control, Assembly with Cable and Front Cove</i>	1	4KOSK

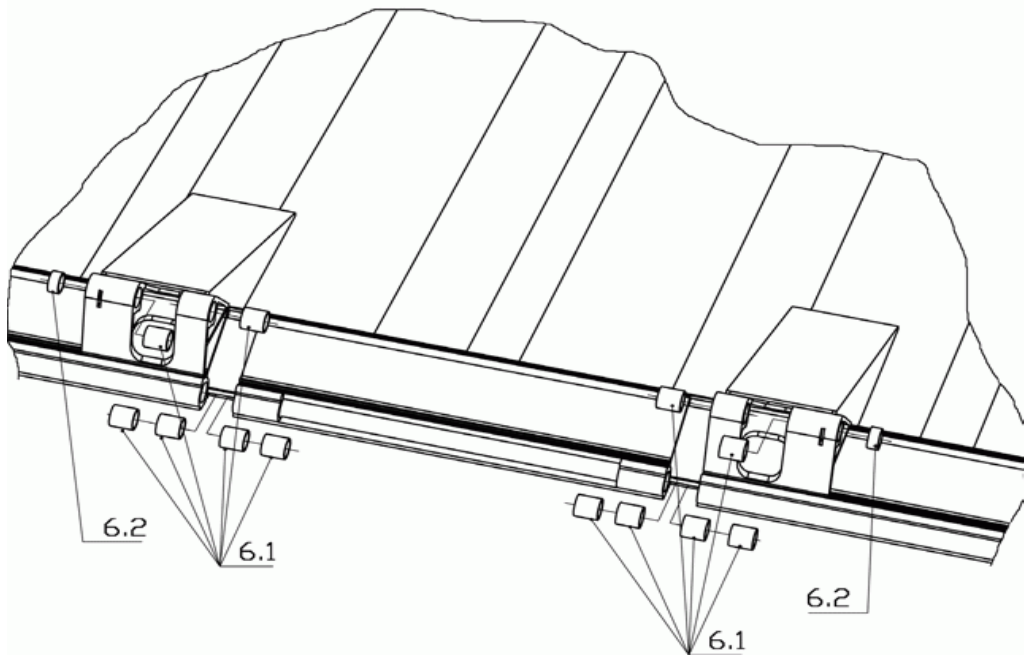
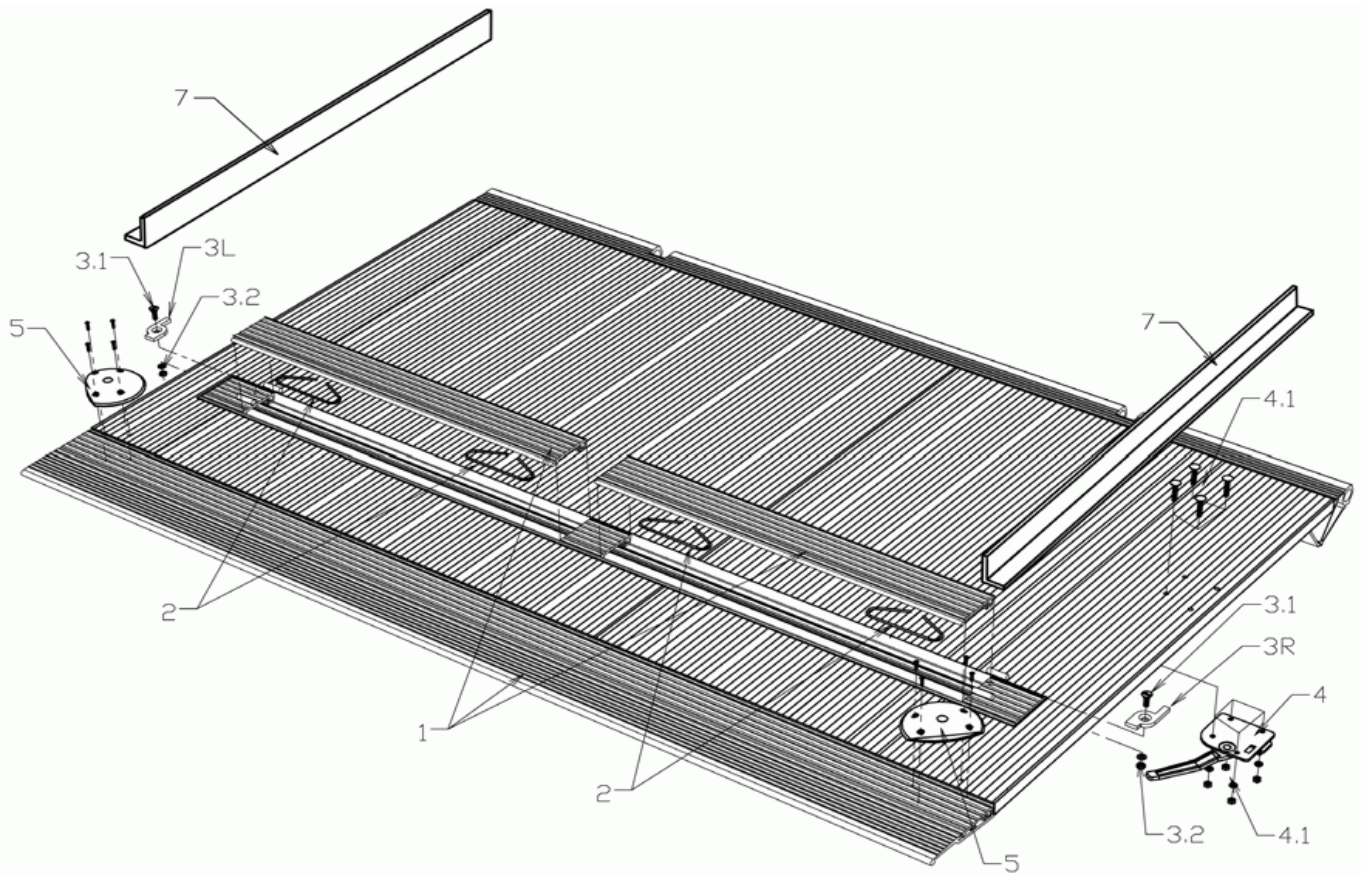
Tail Lift



Aluminum Platform
-------------------

<b>No.</b>	<b>Part Number</b>	<b>Description</b>	<b>pcs</b>	<b>Drawing No.</b>
1	PA0GWDTMLKDX1X	Aluminum Platform; Assembly without platform lock	1	L-750AL-3RS-2412x2159/1350
2	K11000103	Spring for Roll Stoper	4	AHT-ARF-4
3L	PA1TM0602	Lock for Roll Stoper (left)	1	L-500ST-3RS-3.2TM/L
3R	PA1TM0603	Lock for Roll Stoper (right)	1	L-500ST-3RS-3.2TM/R
3.1	PA10601	Screw for Roll Stoper	2	L-500ST-3RS-3.1TM
3.2		Flat Washer	2	ø8
		Locking Nut	2	M8
4	OVK90020	Platform lock right	2	AHT-VH680R
4.1		Round had bolt	4	M8x45
		Flat Washer	4	ø8
		Spring Washer	4	ø8
		Nut	4	M8
5	EA111500285	Flashing Lights 12VDC	2	AHT-WF12V
6.1	TA1G0205	Bushing	12	L-500AL-5.1
6.2	PA1G0302	Bushing	2	L-500AL-5.2
7		Safety Rails	2	L50x50x5; L=1750mm

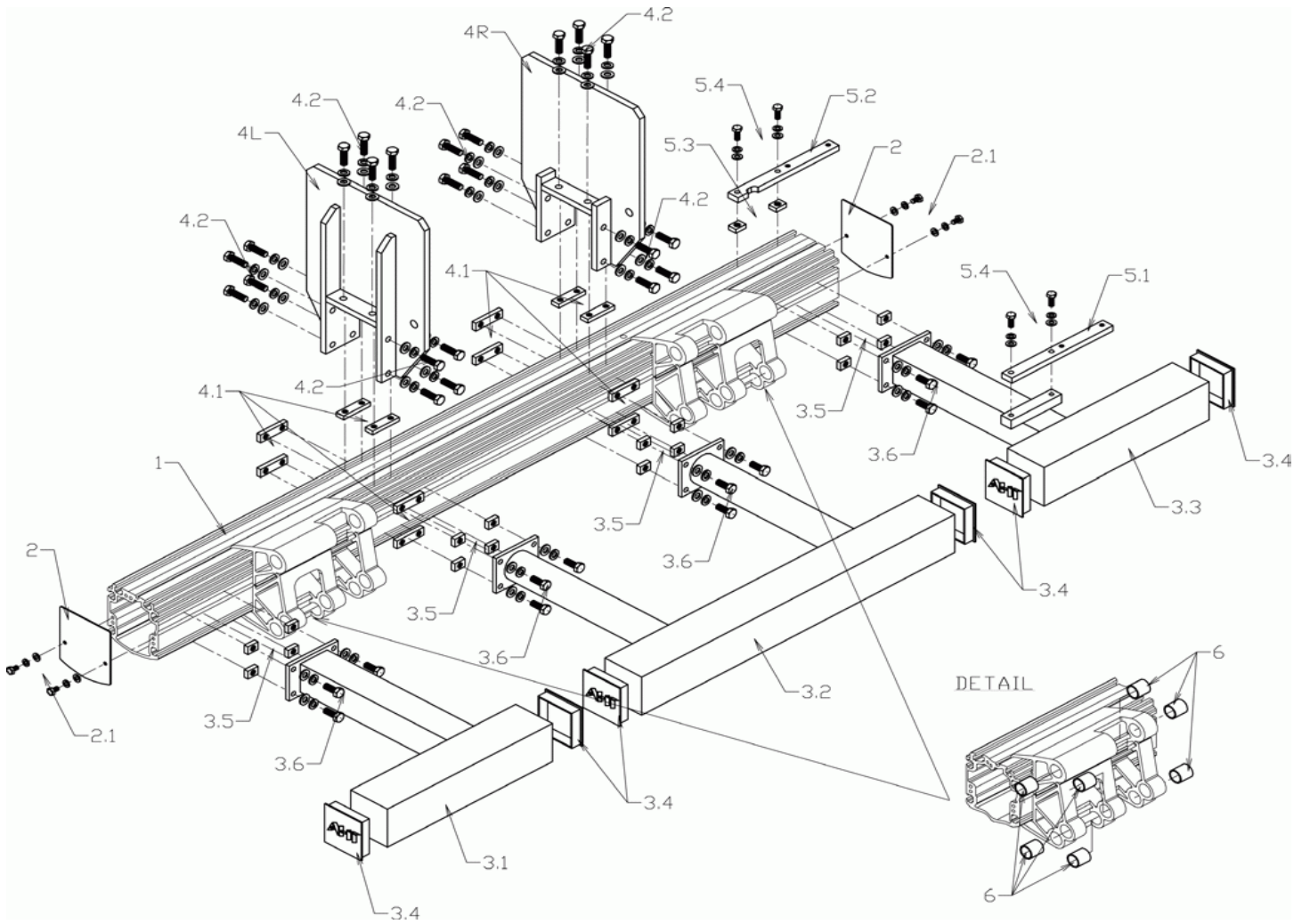
Aluminum Platform



Crossbeam & Mounting Bracket
------------------------------

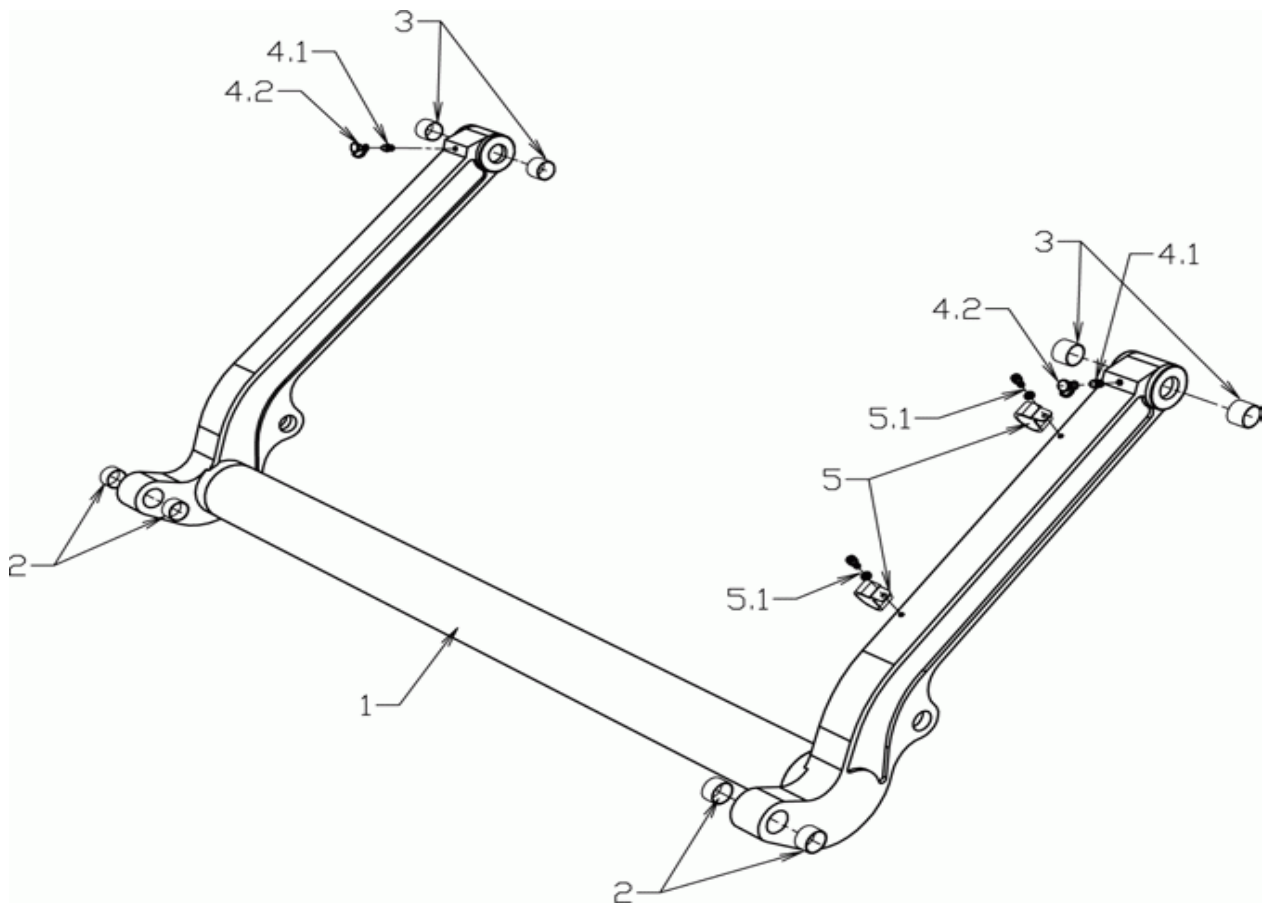
<b>No.</b>	<b>Part Number</b>	<b>Description</b>	<b>pcs</b>	<b>Drawing No.</b>
-	TA0GCFRAX1350UM	Crossbeam with underrun beam; Assembly	1	L-500AL-1350-EU-UFS
1		Crossbeam without underrun beam	1	L-500AL-1350-EU
2	TA1G0206	Cover for crossbeam	2	L-500AL-1.5
2.1		hexagon head screw	4	M10x16
		Flat Washer	4	ø10
		Spring Washer	4	ø10
3.1		Underrun beam left	1	
3.2		Underrun beam middle	1	
3.3		Underrun beam right	1	
3.4	TA1P0304	Cover for underrun beam	6	110x110
3.5	S557AHT11205	Bracket for underrun beam M12	16	L-500AL-7.2
3.6		Hexagon Head Screw	16	M12x30
		Flat Washer	16	ø12
		Spring Washer	16	ø12
4L/R	FA0G500325	Mounting bracket left&right	2	L-500AL-4L/R
4.1	S557AHT21205	Bracket for mounting bracket M12	12	L-500AL-7.1
4.2		hexagon head screw	24	M12x30
		Flat Washer	24	ø12
		Spring Washer	24	ø12
5.1		Mounting plate for power pack	1	
5.2			1	
5.3	S557AHT11005	Bracket for power pack M10	2	L-500AL-7.3
5.4		hexagon head screw	4	M10x35
		Flat Washer	4	ø10
		Spring Washer	4	ø10
6	TA1G0205	Bushing	14	L-500AL-5.1

Crossbeam and Mounting Bracket



Hoisting Unit

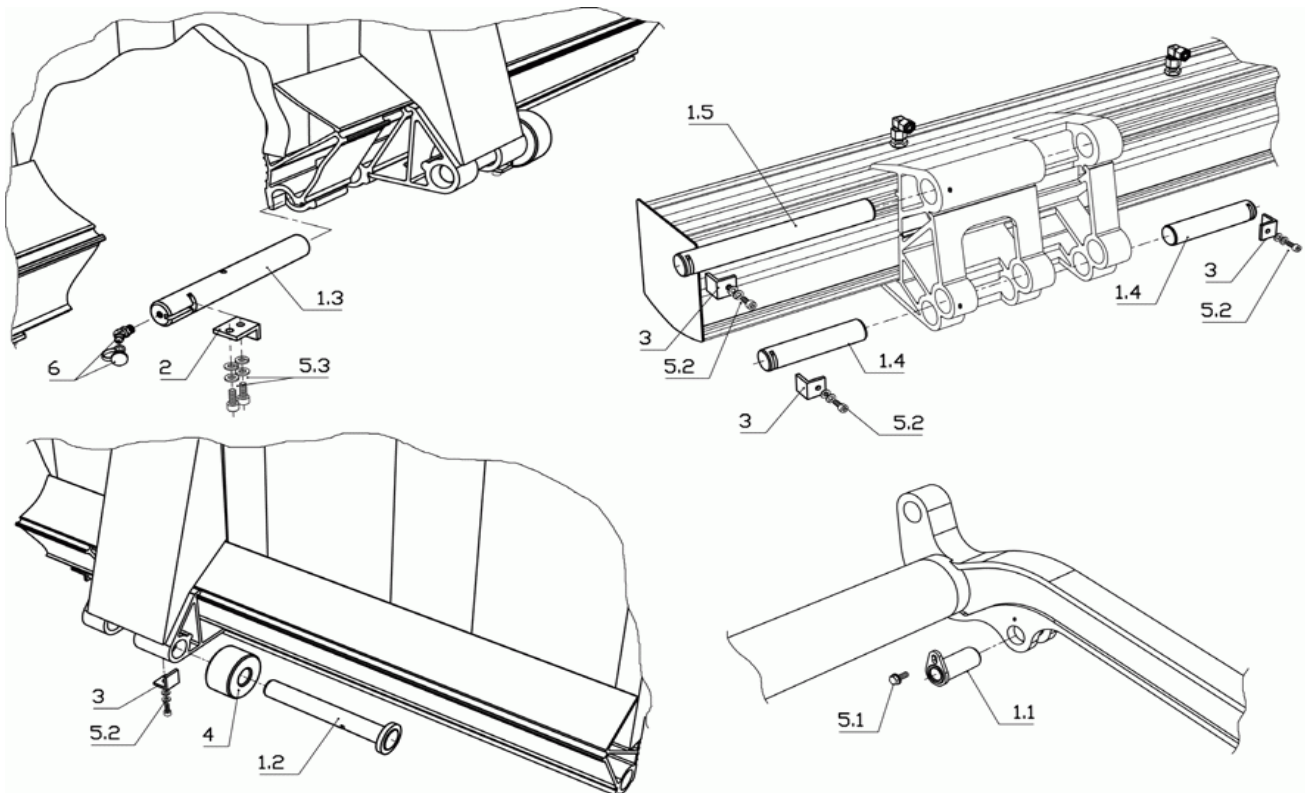
No.	Part Number	Description	pcs	Drawing No.
1	HAOGL1350	Hoisting Unit; Assembly (long L=750mm)		L-500 2HL-1350
2	K11000099	DU-Bushing	4	DU-2515
3	K11000106	DU-Bushing	4	DU-2520
4.1	S141241000007	Grease Fitting	2	M8x1-0
4.2	S141241000099	Cap for Grease Fitting	2	rot red
5	EA111500182	Clamp for hose	2	RSGU.1 20/15
5.1		Allen Key Screw	2	M6x12
		Lock Washer	2	ø6





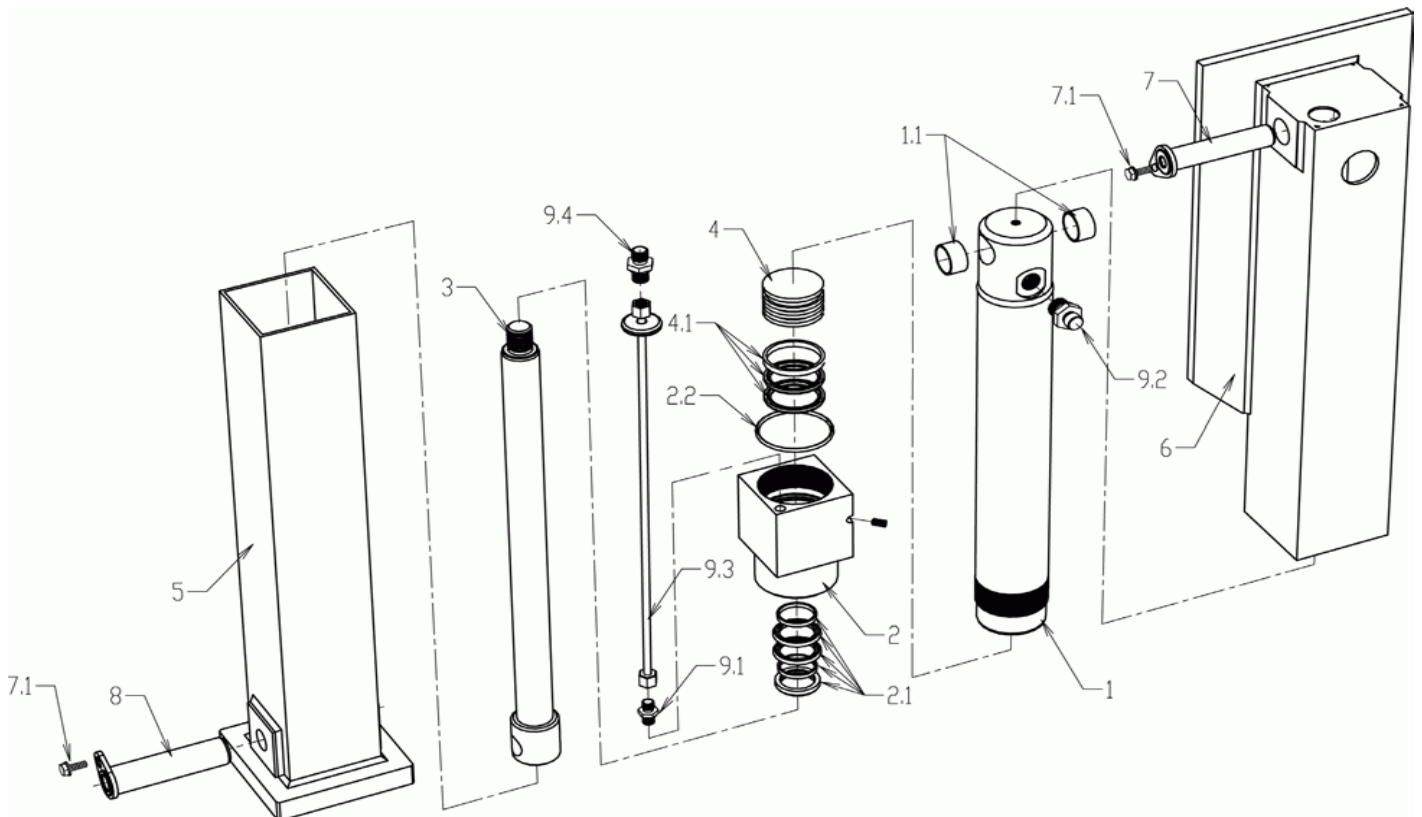
## Bolts

No.	Part Number	Description	pcs	Drawing No.
1	BHOG1	Bolt assembly	1	L-752AL/AL-6
1.1	BS1GAL0210	Bolt (Liftarm - Lift Cylinder)	2	L-502AL-6.1
1.2	BS1GAL0310	Bolt (Platform - Tilt Cylinder)	2	L-500AL-6.2
1.3	BS1GAL0400	Bolt (Hoisting Unit-Platform)	2	L-500AL-6.3A
1.4	BS1GAL0500	Bolt (Crossbeam-Tilt Cylinder)	2	L-500AL-6.4
	BS1GAL0500	Bolt (Cross Beam-Lift Cylinder)	2	L-500AL-6.4
1.5	BS1GAL0610	Bolt (Cross Beam-Hoisting Unit)	2	L-500AL-6.5
2	BS1AL0401	Locking Plate for Bolt	2	L-1500AL-6.10
3	BS1AL0303	Locking Plate for Bolt	8	L-1500AL-6.9
4	BS1G0800	Wear Roller	2	L-500ST-6.7
5.1	S93381060012RP	Rip Self Locking Screw	2	M6x12
5.2		Allen Key Screw	8	M6x16
		Flat Washer	8	ø6
		Lock Washer	8	ø6
6.2		Allen Key Screw	4	M6x18
		Flat Washer	4	ø6
		Lock Washer	4	ø6
7	S141241000009	Grease Fitting	2	MHW-SN-8x1-45
	S141241000099	Cap, Grease Fitting	2	red



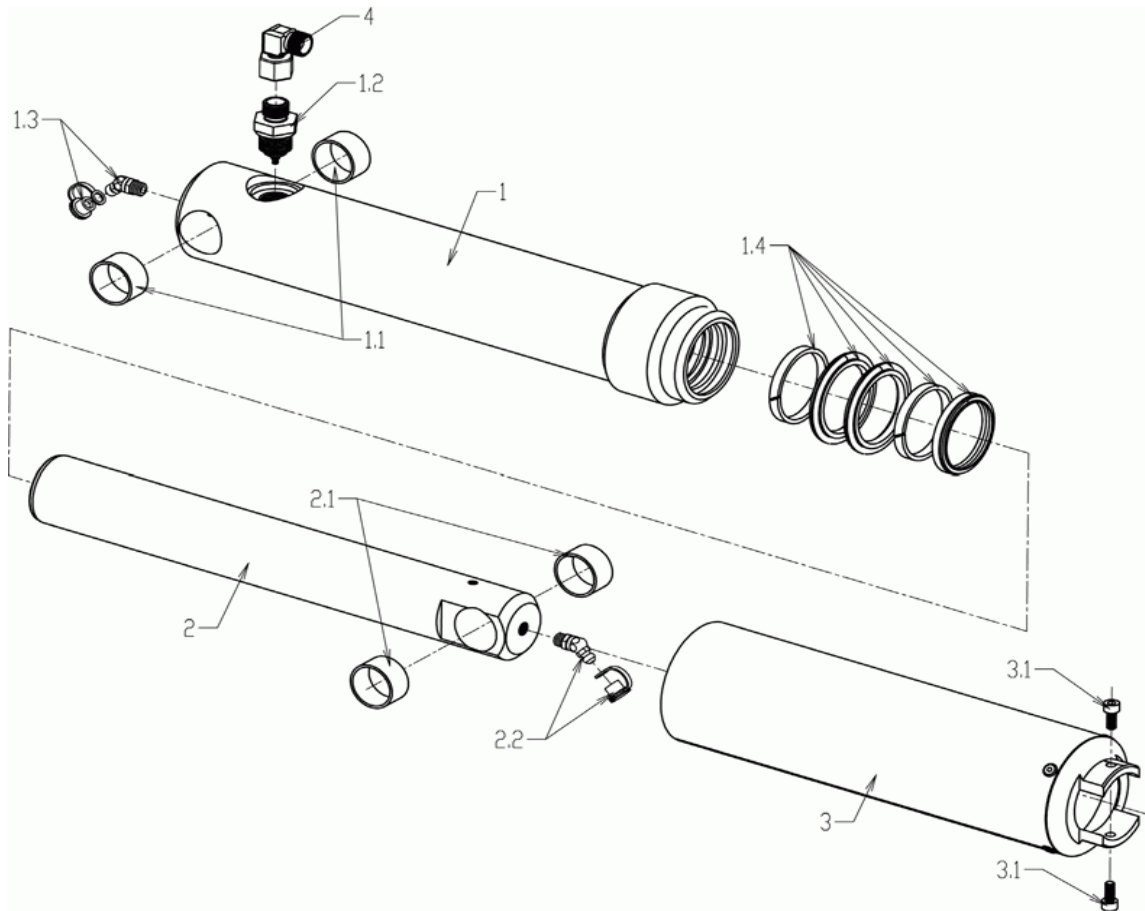
## Support Foot

No.	Part Number	Description	pcs	Drawing No.
-	ZL0340P	Support Foot; Assembly	2	STF-50/30/340SY
1		Cylinder Tube; incl. bushings	1	STF-50/30/340-1
1.1	K11000099	Bushing	2	DU2515
2		Piston Guide	1	STF-50/30/340-2/SY
2.1		Seal Kit, Assembly	1	
2.2	DO266370	O-Ring	1	ø59x3
3		Piston Rod	1	STF-50/30/340-3
4	ZV150601	Piston	1	DW-50/30-2
4.1		Seal Kit, Assembly	1	
5		Guide Tube	1	STF-50/30/340-4/SY
6		Protection Tube	1	STF-50/30/340-5/SY
7	BH1GST0711	Bolt; Cylinder - Protection Tube	1	ATK-751ST-6.1
7.1	S93381060012RP	Rip Self Locking Screw	2	M6x12
8		Bolt; Cylinder - Guide Tube	1	PKL-300-6.1
9.1		Fitting	1	G1/8"-ø6L
9.2		Fitting	1	G3/8"-ø8L
9.3		Hydraulic Pipe; straight	1	ø6x1; L=415mm
9.4		Reduction	1	ø8L <-> ø6L



Lift Cylinder for LA 1700 w/mhbv
----------------------------------

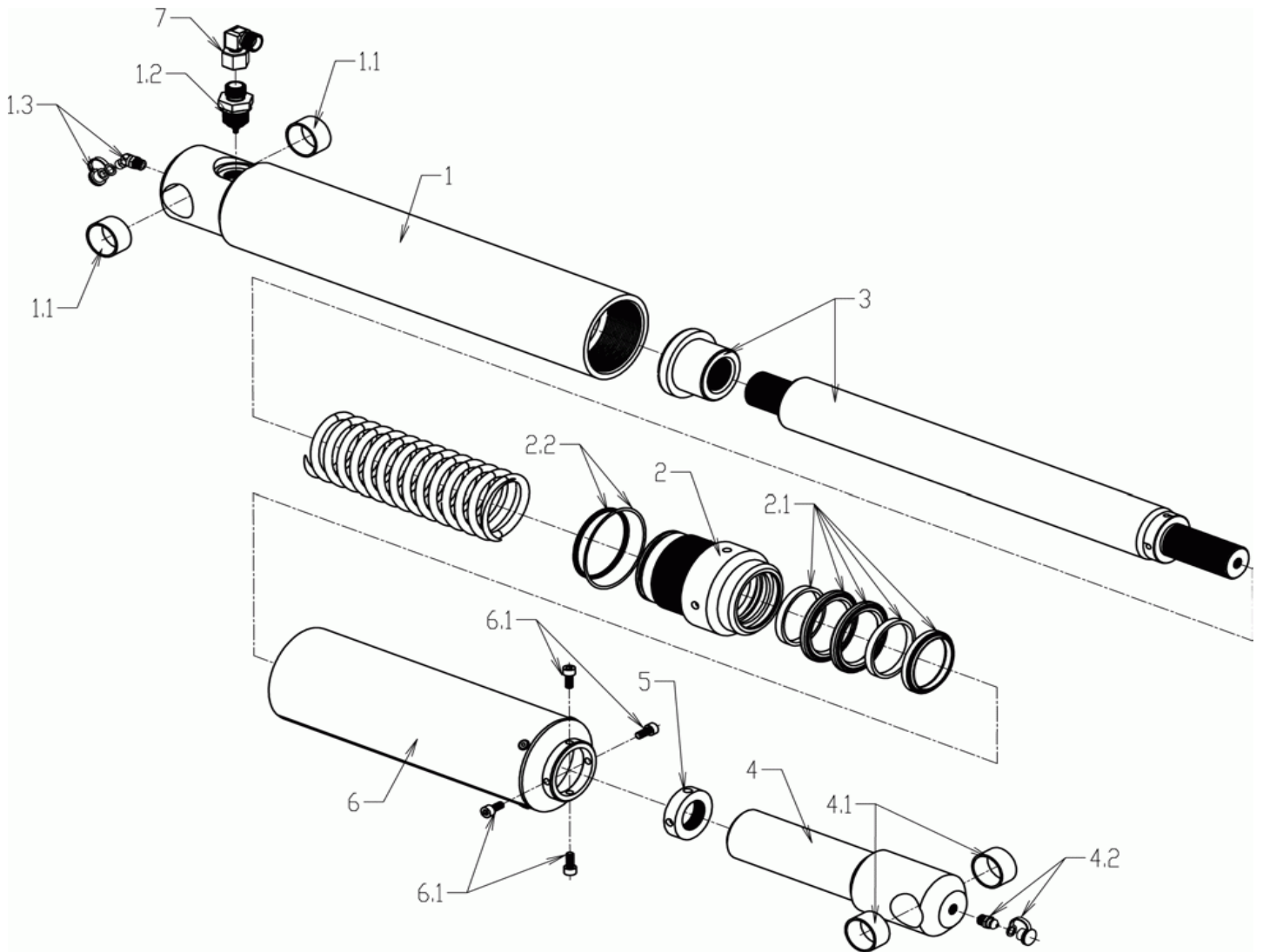
No.	Part Number	Description	pcs	Drawing No.
-	ZHA0G42SM	Lift Cylinder; Assembly	2	HZ-750AL-42-M
1		Cylinder Tube; Assembly	1	HZ-750-1M
1.1	K11000106	Bushing	2	DU2520
1.2	0FV21015	Mech. Hose Burst Valve	1	MRBV-GE8-R3/8-ED
1.3	S141241000009	Grease Fitting 45°	1	MHW-SN-M8x1-45
	S141241000099	Cap, Grease Fitting	1	red
1.4	DH0J42	Seal Kit, Assembly	1	
2	ZHA1G0345	Piston Rod $\phi 42$ ; Assembly	1	HZ-750-2A
2.1	K11000099	Bushing	2	DU2515
2.2	S141241000009	Grease Fitting 45°	1	MHW-SN-M8x1-45
	S141241000099	Cap, Grease Fitting	1	red
3	ZHA1G0400	Cover, Dust Assembly, without screws	1	HZ-750-3
3.1		Allen Key Screw	2	M5x12
		Flat Washer	2	$\phi 5$
		Lock Washer	2	$\phi 5$
4	RV11700032	Ellbow Fitting 90°	1	W-08-PL/OM



Tilt Cylinder for LA 1700 w/mhbv
----------------------------------

No.	Part Number	Description	pcs	Drawing No.
-	ZSA0G42NXLXXM	Tilt Cylinder; Assembly (long)	2	SZ-750AL-42-MRBV/L
1	ZSA1GMNX	Cylinder Tube; Assembly	1	SZ-750-1M
1.1	K11000106	Bushing	2	DU2520
1.2	0FV21264	Mech. Hose Burst Valve	1	MRBV-GE8-R3/8-ED
1.3	S141241000009	Grease Fitting 45°	1	MHW-SN-M8x1-45
	S141241000099	Cap, Grease Fitting	1	rot red
2	ZSA1G0302	Piston Rod Guide $\phi 42$ ; Assembly	1	SZ-750-2
2.1		Seal Kit, Assembly and O-Rings Part# DSOG42	1	
2.2	OLK12465	O-Ring	1	$\phi 52 \times 2.5$ , $\phi 63 \times 1.5$
	OLK12788	O-ring Kit		
3	ZSA1GM0301	Piston Rod (middle&long) & Nut $\phi 42$	-	SZ-750-3M,L; SZ-750-4
	ZSA912200128			(L=650mm & 750mm)
4	ZSA1GL0401	Clevis (long); Assembly	-	SZ-500-6L
				(L=750mm)
4.1	K11000099	Bushing	2	DU2515
4.2	S141241000007	Grease Fitting straight	1	MHW-SN-M8x1-0
	S141241000099	Cap, Grease Fitting	1	rot red
5	ZSA1G0500	Locking Nut	1	SZ-500-11
6	ZSA1D0600	Cover, Dust Assembly, with screws	1	SZ-500-12
6.1		Allen Key Screw	4	M5x12
		Flat Washer	4	$\phi 5$
		Lock Washer	4	$\phi 5$
7	RV11700032	Ellbow Fitting 90°	1	W-08-PL/OM

Tilt Cylinder LA 1700



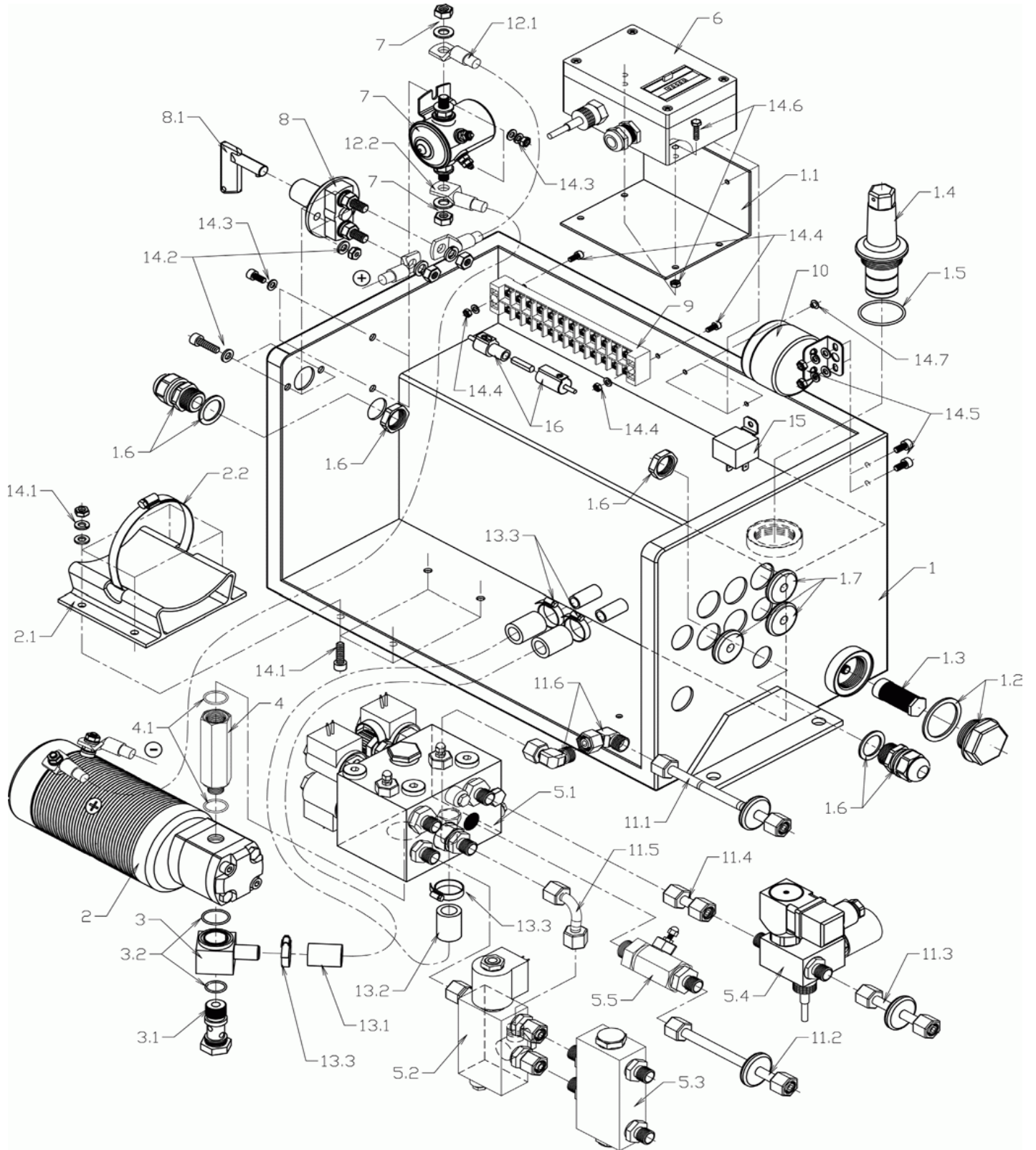
Power Pack
------------

No.	Part Number	Description	pcs	Drawing No.
-	0PW1E1RM82-SB1-	Power Pack 12V	1	E1RM82-SB1-
1	0IK30099	Case for Power Pack including Cover	1	EU-03-1/UHS
1.1		Mounting Sheet for SLS-Box	1	
1.2	0UK00049	Plug	1	
1.3	0NK10001	Suction Filter, changeable	1	MHW-AFS-15.9/1
1.4	0UK00042K	Oil Level Gauge	1	TVST-3
1.5	0LK11876	O-ring	1	ø35x2
1.6	0SK10700	PG-Screwing	2	PG-13.5
1.7	0UK10146	Grommet	5	ø26/12mm
2	0PG29005	motor-pump unit 12V (for L-750)	1	MHW-800/0,75/12
2.1	0UK10153	motor base	1	AHT-K26227
2.2	0OK10021	Clamp	1	ø80-100/12
3	0RK25180	Suction Cube	1	MHW-AW-U05
3.1	0RK25114	Screw for Suction Cube	1	MHW-BFS-U05
3.2	0LK10874	O-ring	1	ø15x1.5
	0LK10642	O-ring		ø11x1.5
4	0RK25238	Adapter for Shuttlevalve	1	MHW-VS-U05
4.1	0LK10990	O-Ring	2	ø17x1.5
5.1	0EK20482	Valve Block; Assembly	1	MHW-VB-189/12V
5.2	0EK20139F12	Valve Block; Assembly	1	MHW-VB-42/SYN/12V
5.3	0EK20205K	Valve Block; Assembly	1	MHW-VB-60A/G1/4"
5.4	0EK20370F12	Valve Block; Assembly	1	MHW-VB-121-OSYN/12V
5.5	0FV21033	Flow Control Valve; Assembly	1	MHW-EMRV-4.1LB
6	0SK12000SYN12	SLS; Assembly incl. Buzzer	1	„SLS“-SYN
7	0BK00002	Starter Switch 12V	1	MHW-MSS2000/12V
8	0SK11151	Battery Switch	1	
8.1	0SK11150	Key for Battery Switch	1	red
9	0SK11220	Cable Connector	1	12-pol
10	0SK18002	Buzzer for SLS	1	
11.1	0XR19655	Hydraulic Pipe (Valveblock 189 - Lift Cylinder)	1	ø8; L=160mm
11.2	0XR19655	Hydraulic Pipe (Flow Control Valve - Scissor Lift)	1	ø8; L=135mm
11.3	0XR19655	Hydraulic Pipe (Valve Block 121 - Tilt Cylinder)	1	ø8; L=80mm
11.4	0XR19655	Hydraulic Pipe (Valve Block 189 - Valve Block 121)	1	ø8; L=45mm
11.5	0XR19655	Hydraulic Pipe (Valve Block 189 - Valve Block 42)	1	ø8; L=130mm/90°

## Power Pack Continued

<b>No.</b>	<b>Part Number</b>	<b>Description</b>	<b>pcs</b>	<b>Drawing No.</b>
11.6		Elbow Fitting	2	
12.1	OSK10546	Cable (Starter Solenoid - Battery Switch)	1	ø16mm <sup>2</sup> ; L=170mm
12.2	OSK10546	Cable (Starter Solenoid - Battery Switch)	1	ø16mm <sup>2</sup> ; L=170mm
13.1	0OK10126	Suction Pipe	2	L=170mm ø13/20; L=80mm
13.2	0OK10126	<i>Return Pipe</i>	2	ø13/20; L=130mm
13.3	0OK10006	Clamp	6	012-22/9
14.1		Allen Key Screw	2	M6x20
		Flat Washer	2	ø6
		<i>Lock Washer</i>	2	ø6
		Hex Nut	2	M6
		Flat Washer	2	ø6
14.2		Allen Key Screw	2	M6x20
		<i>Lock Washer</i>	2	ø6
		Hex Nut	2	M6
		<i>Hex Nut</i>		
14.3		Allen Key Screw	2	M6x12
		Flat Washer	2	ø6
		<i>Lock Washer</i>	2	ø6
		Hex Nut	2	M6
14.4		Allen Key Screw	2	M4x16
		Flat Washer	2	ø4
		Hex Nut	2	M4
14.5		Allen Key Screw	2	M5x12
		Flat Washer	2	ø5
		<i>Lock Washer</i>	2	ø5
		<i>Hex Nut</i>	2	M5
14.6		Hexagon Head Screw	2	M4x16
		<i>Hex Nut</i>	2	M4
14.7		<i>Rivet</i>	2	ø4x8
15	OSK11190	Relay for Flashing Lights	1	12V
16	OSK11160	Housing for Fuse	2 1	25A
	OSK11171	Fuse		
	OSK11169	Fuse	1	8A

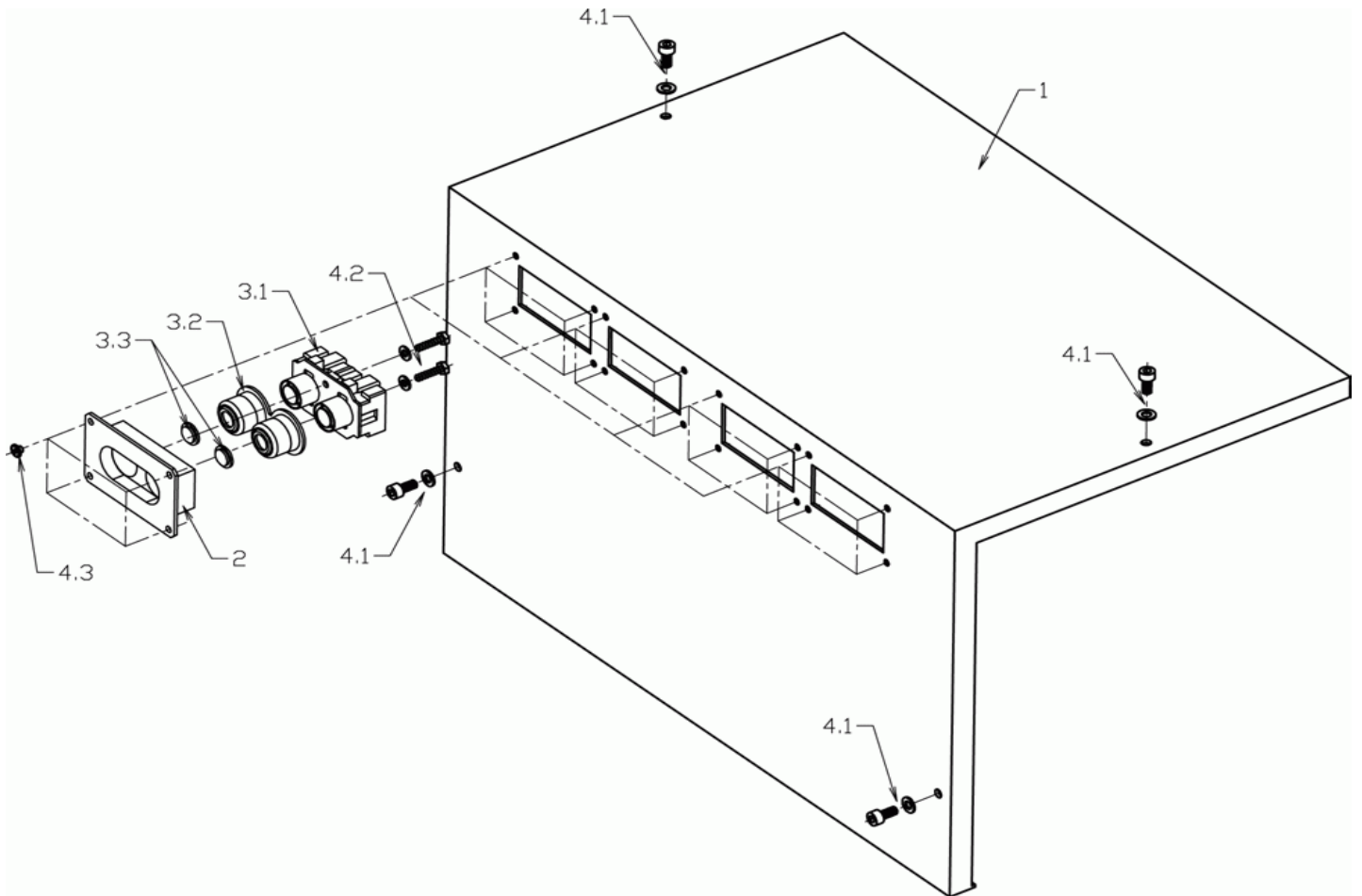
Power Pack





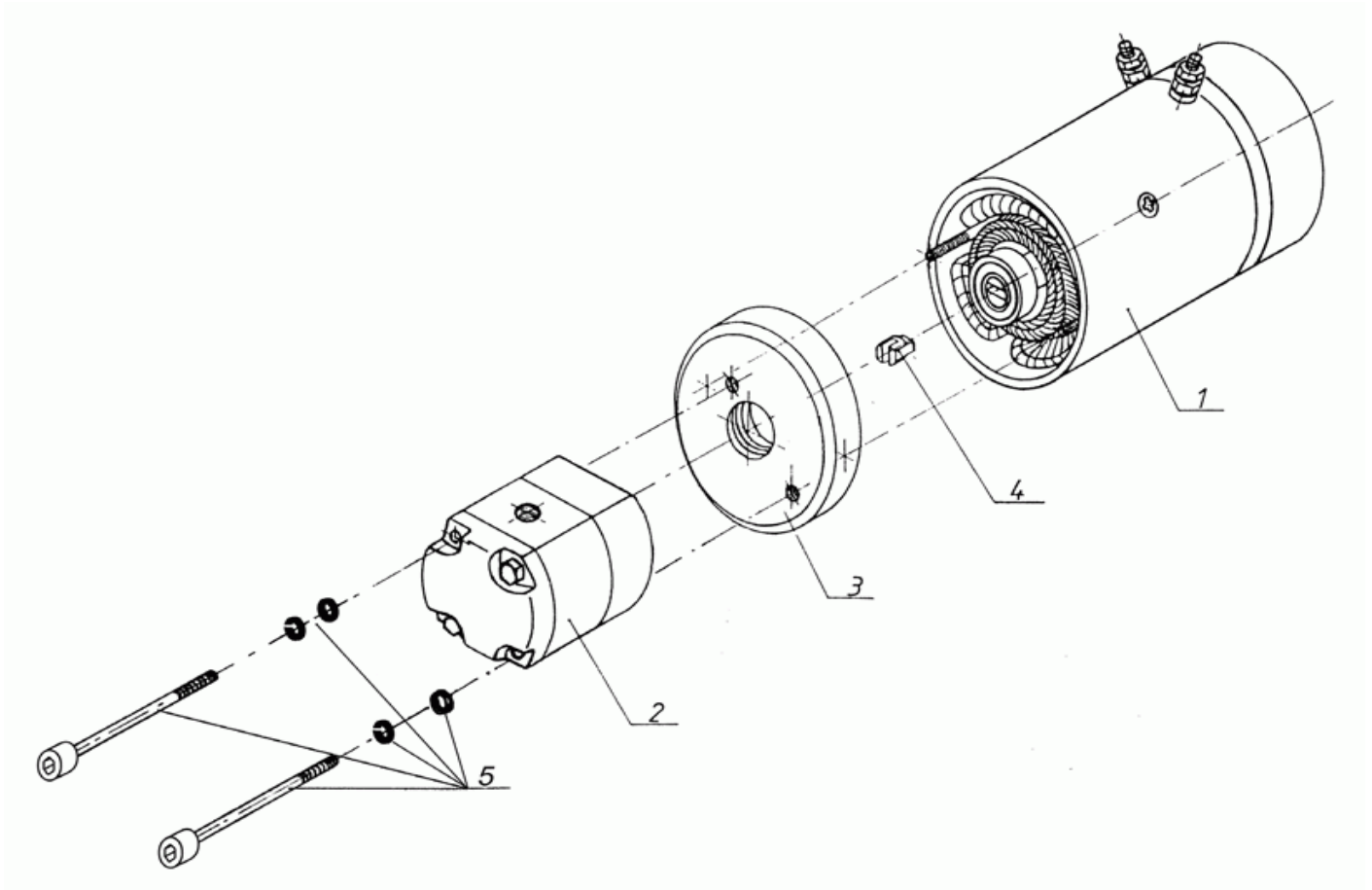
Power Pack

No.	Part Number	Description	pcs	Drawing No.
1		Cover for Power Pack	1	EU-03-1-2/UHS
2	ORK71031K	Recessed Cover	4	MHW-KEK-2D
3.1	OSK18545K	Contact Block	4	MHW-2KSM-2002
3.2	OSK18542	Protective Cover; Rubber	4 8	MHW-2KSM-2002-4 MHW-2KSM-2002-6
3.3	OSK18620	Labels		
4.1		Allen Key Screw	4	M5x16 NIRO
		Flat Washer	4	ø5 NIRO
		Flat Washer		
4.2		Allen Key Screw	4	M4x16
4.3		Rivet	16	ø4x8



Motor/Pump Unit

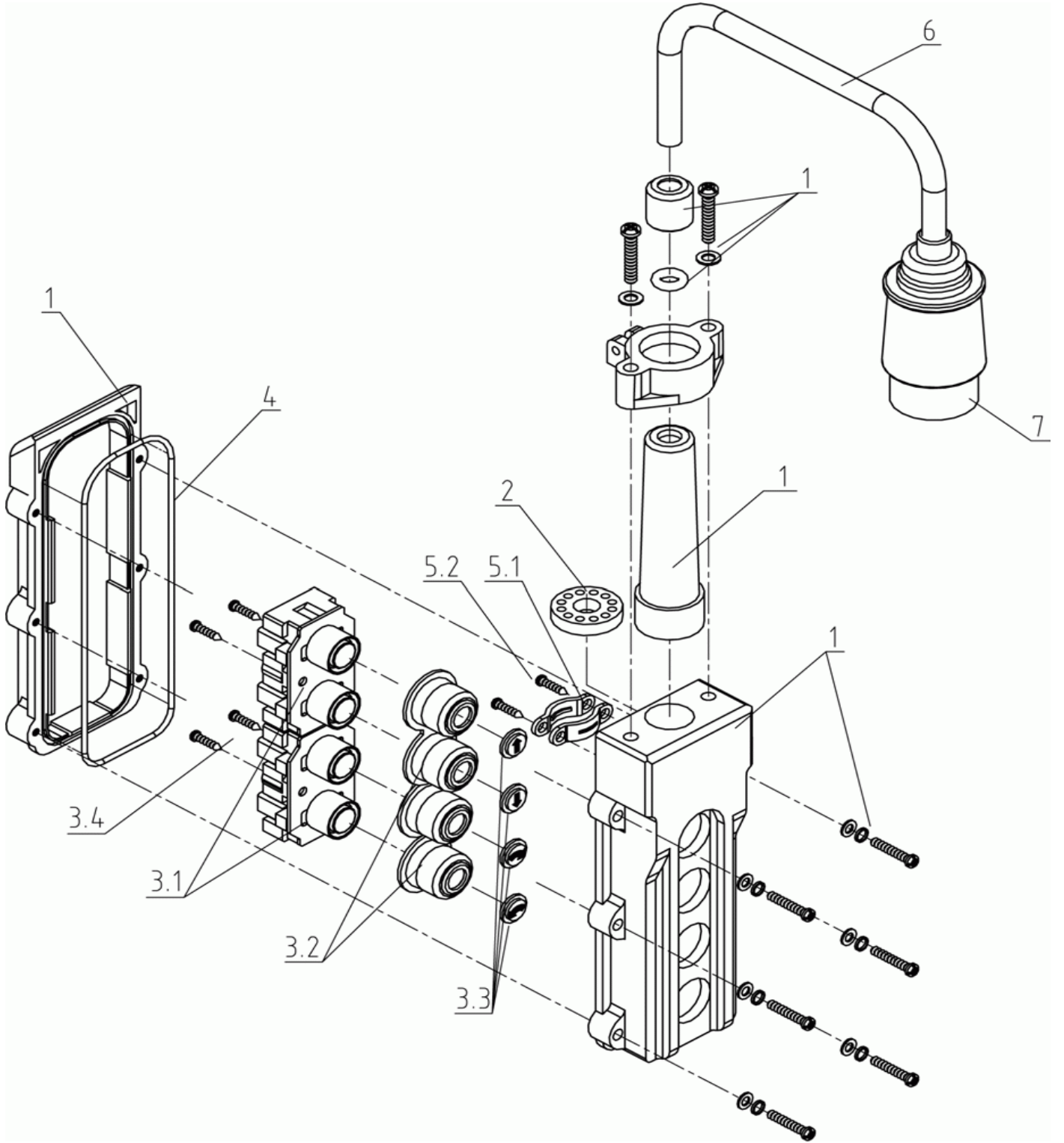
No.	Part Number	Description	pcs	Drawing No.
-	0PG29005	Motor-Pump-Unit; Assembly	1	
1	0AK01015	DC-Motor 800W/12V	1	DC1V0800K
2	0CK07053	Pump	1	MHW00AR0.75
3	0RK40005	Adapter Disc	1	MHW-800-7.2.3
4	0TK20179	Coupling	1	MI-1-5
5		Allen Key Screw	2	M5x70
		Flat Washer	2	ø5
		Lock Washer	2	ø5



4-Button Remote Control
-------------------------

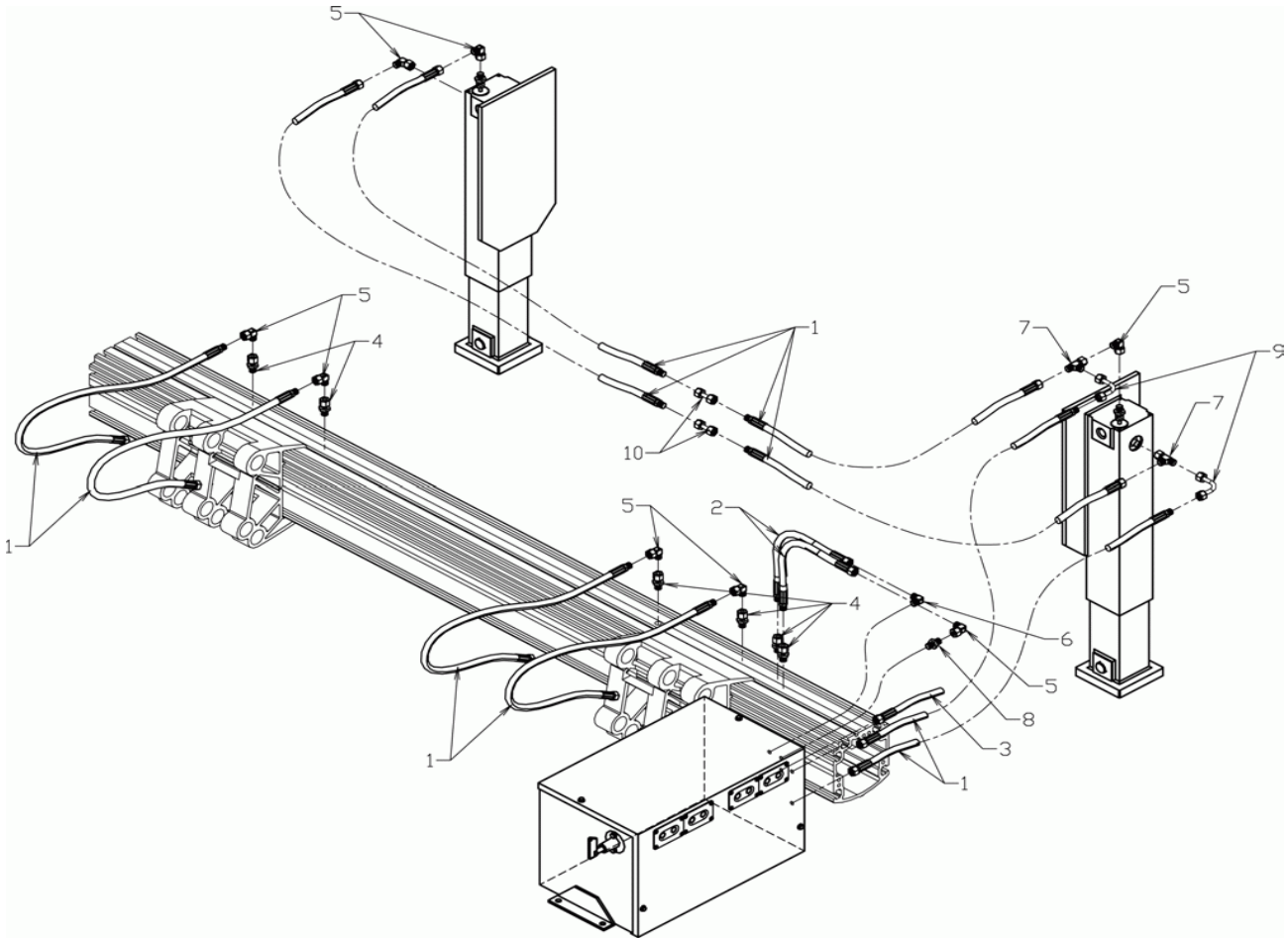
No.	Part Number	Description	pcs	Drawing No.
-	OSK18550SY	4-Button-Remote-Control, Assembly with Spiral Cable	1	4KOSK
-	OSK18551SY	4-Button-Remote-Control, Assembly with Cable and Front Cover	1	4KOSK
1	ORK71041	Housing, Assembly	1	MHW-4KO-2002-1
2	OSK18506	Cable Pull Out Protection	1	MHW-KZE-1
3.1	OSK18545K	Contact Block	1	MHW-2KSM-2002
3.2	OSK18542	Protective Cover, Rubber	1	MHW-2KSM-2002-4
3.3		Label "UP"	1	
		Label "DOWN"	1	
		Label "CLOSE"	1	
		Label "OPEN"	1	
3.4		Screw	4	M3.5x15
4		O-Ring		
5.1	OLK14122	Clamp for Cable	1 2	ø124x2.5 MHW-2KO-2002-6
5.2		Screw	2	M3.5x15
6	OSK11021	Spiral Cable for Remote-Control (inside Body)	1	7x1,5mm <sup>2</sup>
	OSK10254	Cable for Remote-Control (fix mounted)	1	5x1,5mm <sup>2</sup> ; L=1.5m
7	OSK20011	Plug 7-pol	1	

4 Button Remote

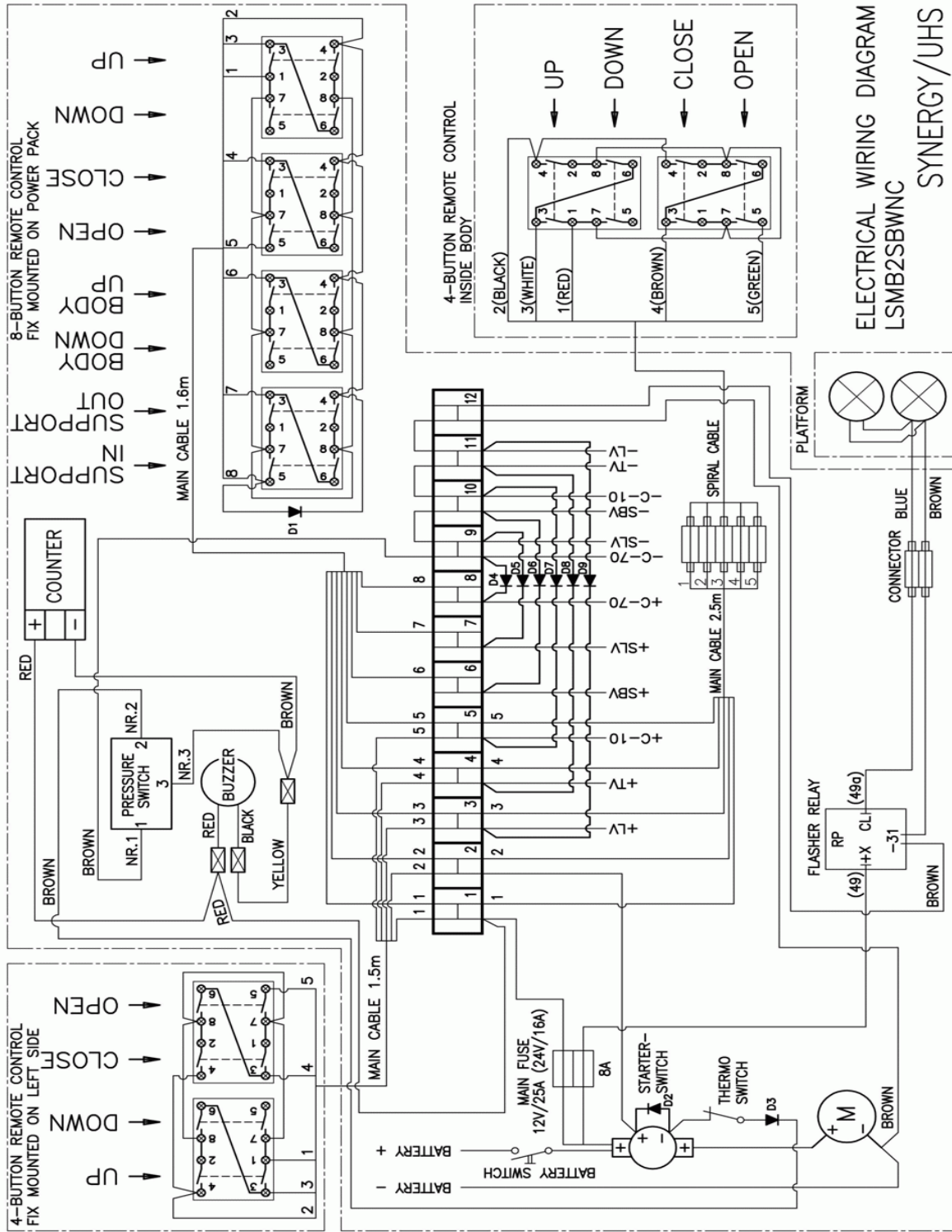


## Hydraulic Hoses & Fittings

No.	Part Number	Description	pcs	Drawing No
1	RS1NG60750A	Hydraulic Hose	10	ø8L; L=750mm
2	RS1NG60350B	Hydraulic Hose	2	ø8L; L=350mm
3	RS1NG62000A	Hydraulic Hose	2	ø8L; L=2000mm
4	RV10700005	Fitting, Straight	6	G1/4"-ø8L mit Mutter
5	RV10700002	Elbow Fitting, 90 degree	8	W-08-PL/OM
6	RV11700032	Elbow Fitting, 90 degree	1	EVW-08-PLR/OM
7	RV10700004	T Fitting	2	T08L/OM
8	RV10700001	Fitting	1	G-08-PL/OM
9		Hydraulic Pipe, 90 degree	2	ø8L; 50x50mm
10		Hydraulic Pipe, Straight	2	ø8L; L=40mm



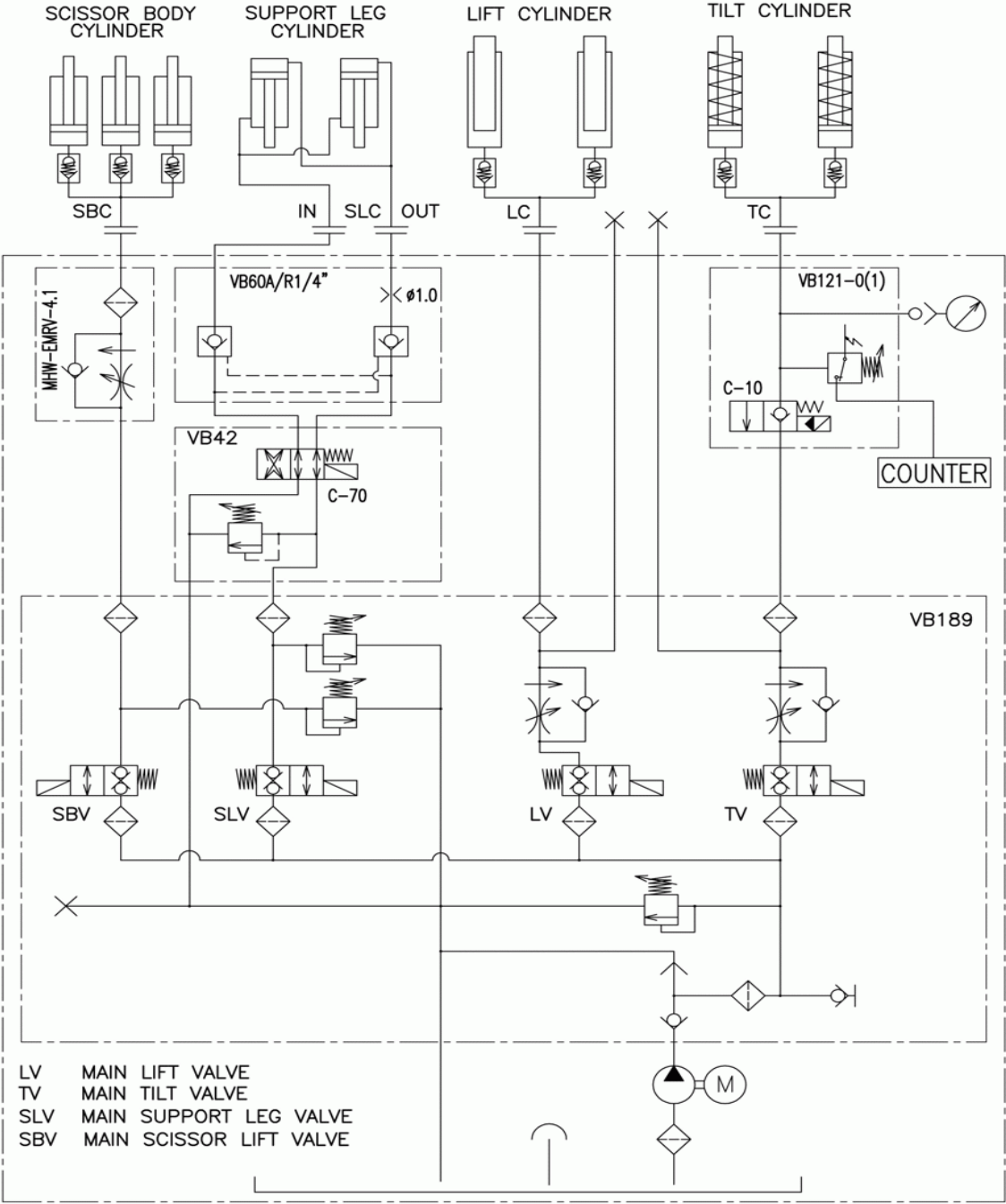
# Electric Wiring Diagram



ELECTRICAL WIRING DIAGRAM  
LSMB2SBWNC  
SYNERGY/UHS

Hydraulic Schematic

HYDRAULISCHES SCHALTSCHHEMA  
HYDRAULIC SCHEMATIC (VB189+VB121-0(1)+VB42+VB60A)



Index
-------

<b>Page</b>	<b>Content</b>	<b>Description</b>
2 - 3	<i>Taillift</i>	L-750AL/AL-SYN
4 - 5	<i>Aluminum Platform</i>	L-750AL-3RS-2412x2159/1350
6 - 7	<i>Crossbeam with underrun beam &amp; mounting brackets</i>	L-500AL-1350-EU-UFS
8	<i>Hoisting Unit</i>	L-500-2HL-1350
9	<i>Bolts</i>	L-752AL/AL-6
10	<i>Support Feet</i>	STF-50/30/340SY
11	<i>Lift Cylinder</i>	HZ-750AL-42M
12 - 13	<i>Tilt Cylinder</i>	SZ-750AL-42-MRBV/L
14-16	<i>Power Pack</i>	E1RM82-SB1-
17	<i>Cover for Power Pack</i>	
18	<i>Motor-Pump Unit</i>	MHW-800/0,75/12
19 - 20	<i>4-Button Remote Control</i>	4KOSK
21	<i>Hydraulic Hoses</i>	
22	<i>Electrical Schematic</i>	LSMB2SBWNC
23	<i>Hydraulic Schematic</i>	