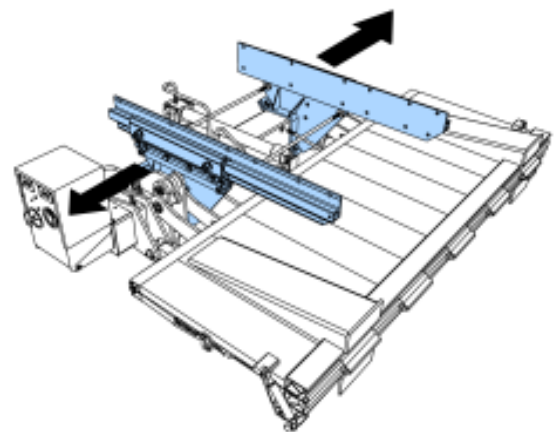
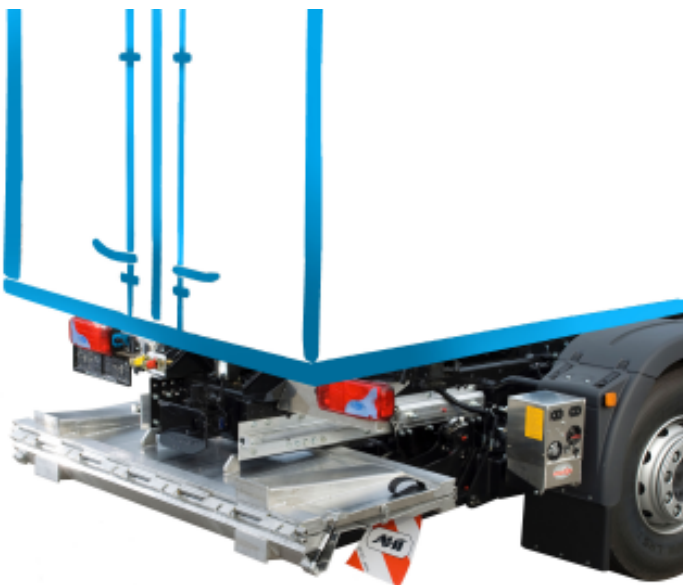


UTK SERIES

SLIDER TAIL LIFTS

Perfection In Every Detail



- **Less Weight - More Payload**
- **Easy & Quick Installation**
- **Long Life - Low Maintenance**

AHT's UTK series of tail lifts consists of a superior and cost effective two cylinder system. Cylinders are mounted inside the lift arms and ensure the stable operation of the platform, even with an uncentred load.

All models are completely assembled, adjusted and tested before leaving the factory. Mounting brackets that simply slide into place enable effortless installation without the need for any welding.



DEFINITELY FUTURE-ORIENTED TAIL LIFT

UTK Model Specifications:

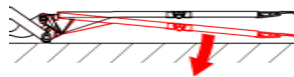
Model	Mechanism	Platform	Capacity (lbs)	Load centre (inches)	Platform Size W x L (inches)	Weight (lbs)
UTK-500ST/ST	Steel	Steel	1100	20	60 x 37	530
UTK-500ST/AL	Steel	Aluminum	1100	20	60 x 37	474
UTK-500AL/AL	Aluminum	Aluminum	1100	20	60 x 37	386
UTK-750ST/ST	Steel	Steel	1650	20	71 x 37	538
UTK-750ST/AL	Steel	Aluminum	1650	20	71 x 48	503
UTK-750AL/AL	Aluminum	Aluminum	1650	20	71 x 48	448
UTK-1000ST/ST	Steel	Steel	2200	20	87 x 60	748
UTK-1000ST/AL	Steel	Aluminum	2200	20	87 x 60	710
UTK-1000AL/AL	Aluminum	Aluminum	2200	20	87 x 60	607
UTK-1500ST/ST	Steel	Steel	3300	20	87 x 67	1073
UTK-1500ST/AL	Steel	Aluminum	3300	20	87 x 67	1015
UTK-1500AL/AL	Aluminum	Aluminum	3300	20	87 x 67	732
UTK-2000ST/ST	Steel	Steel	5500	20	87 x 67	1374
UTK-2000ST/AL	Steel	Aluminum	5500	20	87 x 67	1275
UTK-2000AL/AL	Aluminum	Aluminum	5500	20	87 x 67	1026

Standard Equipment

- Two battery cables, (+/-) for a direct connection to the battery



2-button Hand control with pull out protection



Mechanical auto leveling at ground level



Roll Stops

Optional

- Added platform length
- 3-Button foot control
- Flashing lights
- Additional hand control
- Three bumper mounts
- Electrical Hose Burst Valve

MHW®-Powerpack

Platform is controlled by the compact and fully integrated MHW power pack in a water proof aluminum box. A two-button hand control, (Up and Down), is equipped with a pull-out protector to prevent electrical shorts. A red keyed master control switch prevents unauthorized use of the tail lift.



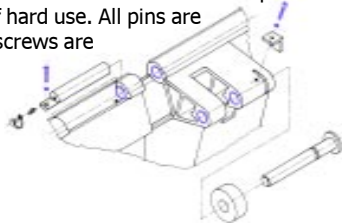
Cylinders

AHT's patented all-aluminium cylinders are more powerful and weigh less than our competitors cylinders. They have been tested for 1,000,000 cycles, without changing seals, and are noiseless at all temperature ranges. The ceramic-coated pistons, are highly resistant to salt water, and other corrosive substances, ensuring a very long life span. Mechanical hose burst valves are standard and electrical hose burst valves are optional.



Mounting Pins

The pins are mounted in DU-bushings. The pins on all-aluminum platforms are mounted in ceramic-coated bearings. Since ceramic is not an electrical conductive material it avoids corrosion. The pins can be easily removed after years of hard use. All pins are secured with a bracket and the screws are made of stainless steel.



Safety First

All cylinders are equipped with mechanical hose-burst valves which are operative during lifting and lowering of the platform. The platform will stop immediately if a hose bursts, protecting the operator and product.



ALUHEBETECHNIK GmbH

Office

Hauptplatz 23
A-2474 Gattendorf
Austria / Europe
Telefon: (++43) 2142 64280
Telefax: (++43) 2142 642860
E-Mail: office@aht-mhw.com

Plant

Bahnstrasse 34
A-2474 Gattendorf
Austria / Europe
Telefon: (++43) 2142 64360
Telefax: (++43) 2142 64366



www.aht-mhw.com